



ISO/TC 197 **N 489**

2011-08-02  
page 1 of 1

## ISO 17268 *Gaseous hydrogen land vehicle refuelling connection devices*

action required from P-members

reply required by: **2010-10-06**

information to O-members and liaisons

Dear members,

We would like to inform you that a revised version of **ISO/DIS 17268.2** *Gaseous hydrogen land vehicle refuelling connection devices* has been made available on the ISO web site. This revised version corrects some errors in the drawings.

The revised version is attached for your convenience. It can also be downloaded from the ISO web site.  
Thank you.

Yours sincerely,

Sylvie Gingras, Secretary of ISO/TC197  
Bureau de normalisation du Québec  
on behalf of the Standards Council of Canada

Address reply to:



Ms. Sylvie Gingras, Secretary of ISO/TC 197  
Bureau de normalisation du Québec  
333, rue Franquet  
Sainte-Foy (Québec) CANADA G1P 4C7

Tel: + 1 418 652 2238 (ext. 2655) Fax: + 1 418 652 2292 E-mail: [sylvie.gingras@bnq.qc.ca](mailto:sylvie.gingras@bnq.qc.ca)



## DRAFT INTERNATIONAL STANDARD ISO/DIS 17268.2

ISO/TC 197

Secretariat: **SCC**

Voting begins on  
**2011-07-06**

Voting terminates on  
**2011-10-06**

INTERNATIONAL ORGANIZATION FOR STANDARDIZATION • МЕЖДУНАРОДНАЯ ОРГАНИЗАЦИЯ ПО СТАНДАРТИЗАЦИИ • ORGANISATION INTERNATIONALE DE NORMALISATION

# Gaseous hydrogen land vehicle refuelling connection devices

*Dispositifs de raccordement pour le ravitaillement des véhicules terrestres en hydrogène gazeux*

[Revision of first edition (ISO 17268:2006)]

ICS 43.180; 71.100.20

**In accordance with the provisions of Council Resolution 15/1993 this document is circulated in the English language only.**

**Conformément aux dispositions de la Résolution du Conseil 15/1993, ce document est distribué en version anglaise seulement.**

**To expedite distribution, this document is circulated as received from the committee secretariat. ISO Central Secretariat work of editing and text composition will be undertaken at publication stage.**

**Pour accélérer la distribution, le présent document est distribué tel qu'il est parvenu du secrétariat du comité. Le travail de rédaction et de composition de texte sera effectué au Secrétariat central de l'ISO au stade de publication.**

THIS DOCUMENT IS A DRAFT CIRCULATED FOR COMMENT AND APPROVAL. IT IS THEREFORE SUBJECT TO CHANGE AND MAY NOT BE REFERRED TO AS AN INTERNATIONAL STANDARD UNTIL PUBLISHED AS SUCH.

IN ADDITION TO THEIR EVALUATION AS BEING ACCEPTABLE FOR INDUSTRIAL, TECHNOLOGICAL, COMMERCIAL AND USER PURPOSES, DRAFT INTERNATIONAL STANDARDS MAY ON OCCASION HAVE TO BE CONSIDERED IN THE LIGHT OF THEIR POTENTIAL TO BECOME STANDARDS TO WHICH REFERENCE MAY BE MADE IN NATIONAL REGULATIONS.

RECIPIENTS OF THIS DRAFT ARE INVITED TO SUBMIT, WITH THEIR COMMENTS, NOTIFICATION OF ANY RELEVANT PATENT RIGHTS OF WHICH THEY ARE AWARE AND TO PROVIDE SUPPORTING DOCUMENTATION.

### **Copyright notice**

This ISO document is a Draft International Standard and is copyright-protected by ISO. Except as permitted under the applicable laws of the user's country, neither this ISO draft nor any extract from it may be reproduced, stored in a retrieval system or transmitted in any form or by any means, electronic, photocopying, recording or otherwise, without prior written permission being secured.

Requests for permission to reproduce should be addressed to either ISO at the address below or ISO's member body in the country of the requester.

ISO copyright office  
Case postale 56 • CH-1211 Geneva 20  
Tel. + 41 22 749 01 11  
Fax + 41 22 749 09 47  
E-mail [copyright@iso.org](mailto:copyright@iso.org)  
Web [www.iso.org](http://www.iso.org)

Reproduction may be subject to royalty payments or a licensing agreement.

Violators may be prosecuted.

# Contents

Page

Foreword .....	v
Introduction.....	vi
1 Scope .....	7
2 Normative references .....	7
3 Terms and definitions .....	8
4 General construction requirements .....	9
5 Nozzles .....	9
6 Receptacles.....	10
7 Design verification test procedures .....	11
7.1 General requirements .....	11
7.2 Test conditions .....	11
7.3 Nozzle tests .....	11
7.4 Receptacle tests .....	11
7.5 User – Machine interface .....	12
7.6 Dropping.....	12
7.7 Leakage at room temperature .....	13
7.8 Valve operating handle .....	13
7.9 Receptacle vibration resistance .....	14
7.10 Abnormal loads .....	14
7.11 Low and high temperatures .....	14
7.11.1 Purpose .....	14
7.11.2 General .....	14
7.11.3 Leakage tests .....	15
7.11.4 Operation tests .....	15
7.12 Durability and maintainability .....	15
7.12.1 Purpose .....	15
7.12.2 Nozzle durability test.....	15
7.12.3 Receptacle check valve durability test.....	16
7.12.4 Receptacle durability test.....	17
7.12.5 Connected nozzle and receptacle durability test.....	17
7.13 Sealing material aging test.....	17
7.13.1 Purpose .....	17
7.13.2 Oxygen aging test procedure.....	17
7.13.3 Ozone aging test procedure .....	17
7.14 Non-metallic material hydrogen resistance test .....	18
7.15 Electrical resistance .....	18
7.16 Hydrostatic strength .....	18
7.17 Corrosion resistance.....	18
7.17.1 Purpose .....	18
7.17.2 General .....	18
7.17.3 Nozzle test.....	18
7.17.4 Receptacle test .....	19
7.18 Deformation .....	19
7.19 Contamination test .....	19
7.20 Thermal cycle test .....	19
7.21 Pre-cooled hydrogen exposure test .....	20
7.22 Misconnected nozzle test .....	20
7.23 Upward/downward nozzle compatibility test.....	21

7.23.1	Upwards nozzle compatibility test .....	21
7.23.2	Downwards nozzle compatibility test .....	21
8	Instructions .....	21
9	Marking .....	22
Annex A (normative)	Receptacle/nozzle interface envelope .....	23
Annex B (normative)	Hydrogen Receptacles .....	24
Annex C (normative)	Loose fit test fixtures .....	29
Annex D (normative)	Tight fit test fixtures .....	34
Annex E (normative)	Wear pattern test fixtures .....	39

## Foreword

ISO (the International Organization for Standardization) is a worldwide federation of national standards bodies (ISO member bodies). The work of preparing International Standards is normally carried out through ISO technical committees. Each member body interested in a subject for which a technical committee has been established has the right to be represented on that committee. International organizations, governmental and non-governmental, in liaison with ISO, also take part in the work. ISO collaborates closely with the International Electrotechnical Commission (IEC) on all matters of electrotechnical standardization.

International Standards are drafted in accordance with the rules given in the ISO/IEC Directives, Part 2.

The main task of technical committees is to prepare International Standards. Draft International Standards adopted by the technical committees are circulated to the member bodies for voting. Publication as an International Standard requires approval by at least 75 % of the member bodies casting a vote.

Attention is drawn to the possibility that some of the elements of this document may be the subject of patent rights. ISO shall not be held responsible for identifying any or all such patent rights.

ISO 17268 was prepared by Technical Committee ISO/TC 197, *Hydrogen technologies*.

This second edition cancels and replaces the first edition, which has been technically revised.



# Gaseous hydrogen land vehicle refuelling connection devices

## 1 Scope

This International Standard defines the design, safety and operation characteristics of gaseous hydrogen land vehicle (GHLV) refuelling connectors. GHLV refuelling connectors consist of the following components, as applicable.

- Receptacle and protective cap (mounted on vehicle).
- Nozzle.

This International Standard applies to refuelling connectors which have working pressures of 11 MPa, 25 MPa, 35 MPa and 70 MPa, hereinafter referred to in this International Standard as the following:

- H11 – 11 MPa at 15 °C
- H25 – 25 MPa at 15 °C
- H35 – 35 MPa at 15 °C
- H35HF – 35 MPa at 15 °C (high flow for commercial vehicle applications)
- H70 – 70 MPa at 15 °C

Nozzles and receptacles that meet the requirements of this International Standard will only allow GHLVs to be fuelled by stations dispensing hydrogen with nominal working pressures equal to or lower than the vehicle fuel system working pressure.

This International Standard is intended to be used for certification purposes.

## 2 Normative references

The following referenced documents are indispensable for the application of this document. For dated references, only the edition cited applies. For undated references, the latest edition of the referenced document (including any amendments) applies.

ISO 188, *Rubber vulcanized — Accelerated ageing or heat resistance tests*

ISO 9227, *Corrosion tests in artificial environments — Salt spray tests*

ISO 12103-1, *Test dust*

ISO 14687-2<sup>1)</sup>, *Hydrogen fuel — Product specification*

ISO 15501-1, *Road vehicles — Compressed natural gas (CNG) fuel systems — Part 1: Safety*

---

1) To be published.



### 3 Terms and definitions

For the purposes of this document, the following terms and definitions apply.

#### 3.1

##### **connector**

joined assembly of nozzle and receptacle which permits quick connect and disconnect of fuel supply to the vehicle or storage system

#### 3.2

##### **cycle**

the process of a making a positive connection between the nozzle and the receptacle, pressurizing to the maximum working pressure, depressurising and disconnecting

#### 3.3

##### **dry helium**

helium with a dew point adequate to prevent condensation during testing and at least 99 % pure

#### 3.3

##### **dry hydrogen**

hydrogen which meets or exceeds the quality level in ISO 14687-2

#### 3.5

##### **leak test gas**

gas for testing leaks that consists of dry hydrogen, or dry helium, or blends of a minimum 10 % of hydrogen or helium with nitrogen.

#### 3.6

##### **maximum working pressure**

maximum pressure that a component will experience in service independent of temperature

NOTE The maximum working pressure is 125 % of the nominal working pressure at 15 °C for the purpose of testing of nozzles and receptacles in this International Standard.

#### 3.7

##### **nominal working pressure**

pressure for which the product is intended to be operated for a given gas temperature of 15 °C

NOTE This defines a full tank gas density.

#### 3.8

##### **nozzle**

device connected to a fuel dispensing system, which permits the transfer of hydrogen

#### 3.9

##### **positive locking means**

feature which requires actuation of an interlocking mechanism to achieve proper connection of the connector before pressure is applied

#### 3.10

##### **protective cap**

means to prevent dirt and other contaminants from getting into the inlet of the vehicle receptacle

#### 3.11

##### **receptacle**

device connected to a vehicle or storage system which receives the station nozzle and permits transfer of hydrogen

NOTE This may also be referred to as a fuelling inlet of gas filling port in other documents.

## 4 General construction requirements

**4.1** Nozzles and receptacles made to this International Standard shall be designed in accordance with reasonable concepts of safety, durability and maintainability.

**4.2** Nozzles and receptacles designed and tested in accordance with this International Standard shall:

- a) prevent hydrogen fuelled vehicles from being fuelled by dispenser stations with working pressures or flow rates higher than the vehicle;
- b) prevent hydrogen fuelled vehicles from being fuelled by other compressed gas dispensing stations; and
- c) prevent other gaseous fuelled vehicles from being fuelled by hydrogen dispensing stations.

**4.3** Nozzles and receptacles shall be well fitted and manufactured in accordance with good engineering practice. All specifications as to construction set forth herein may be satisfied by the construction actually prescribed or such other construction providing at least equivalent performance.

**4.4** Nozzles and receptacles shall be:

- a) designed to minimise the possibility of incorrect assembly;
- b) designed to be secure against displacement, distortion, warping or other damage;
- c) constructed to maintain operational integrity under normal and reasonable conditions of handling and usage; and
- d) designed with no self-evident means of defeating the safety features.

**4.5** Nozzles and receptacles shall be manufactured of materials suitable and compatible for use with compressed hydrogen at the pressure and the temperature ranges to which they will be subjected as specified in 5.8 and 7.7. Materials used in the construction of nozzles, receptacles and protective caps shall be non-sparking or spark-reducing. All pressure bearing and wetted components shall also be made from material that is compatible with deionised water. Non-metallic material compatibility shall be documented by the component manufacturer or an independent third party.

**4.6** The nozzle shall be connected or disconnected without the use of tools.

**4.7** The H11 and H25 receptacles shall be mounted on the vehicle in compliance with ISO 15501-1. All other receptacles shall be mounted on the vehicle in compliance with the envelope requirements specified in Annex A.

**4.8** Protective caps shall protect the receptacle from foreign debris and shall not hold pressure. Resistance shall be appropriate to prevent inadvertent dislodging. All protective caps shall have a retainer to attach them to the receptacle or vehicle.

## 5 Nozzles

**5.1** Nozzles shall comply with the dimensional requirements of 6.1 to ensure proper interchangeability. Nozzles shall couple with receptacles of equal or higher nominal working pressures, but they shall be designed so that they will not couple with receptacles of lower nominal working pressures. The nozzle shall extend to within 1 mm of the stop ring for all nominal working pressures. Nozzles shall be designed so that they will not couple with gaseous fuelled vehicles other than GHLV.

**5.2** Nozzles shall be one of three types as described hereunder.

- a) TYPE A - A nozzle for use with dispensing hoses that may remain fully pressurized at dispenser shutdown. The nozzle shall not allow gas to flow until a positive connection has been achieved. The nozzle shall be equipped with an integral valve or valves, incorporating an operating mechanism which first stops the supply of gas and safely vents the trapped gas before allowing the disconnection of the nozzle from the receptacle. The operating mechanism shall ensure the vent connection is open before the release mechanism can be operated and the gas located between the nozzle shut-off valve and the receptacle check valve is safely vented prior to nozzle disconnection.
- b) TYPE B - A nozzle for use with dispensing hoses that may remain fully pressurized at dispenser shutdown. A separate three-way valve connected directly, or indirectly, to the inlet of the nozzle shall be used to safely vent trapped gas prior to nozzle disconnection. The nozzle shall not allow gas to flow until a positive connection has been achieved. Venting shall be achieved prior to disconnection of the nozzle. External three-way valves shall be constructed and marked so as to indicate clearly the open, shut and vent positions.
- c) TYPE C - A nozzle for use with dispensing hoses which are depressurized (0,5 MPa and below) at dispenser shutdown. The nozzle shall not allow gas to flow until a positive connection has been achieved. The function of preventing flow may be controlled by the dispenser as long as it is receiving a positive connection signal from the nozzle.

**5.3** Nozzles shall be designed for a life of 100 000 cycles with manufacturer specified maintenance. The three-way valve used for actuating Type B nozzles shall meet the same number of cycles as the nozzle (i.e. 100 000 cycles).

**5.4** The act of venting, or de-pressurising, of the connection space between all nozzle types and receptacles shall be performed prior to disconnection. A provision shall be made for the venting or de-pressurising of all nozzle types to be directed to a safe location.

**5.5** The means for attaching the nozzle to the fuel dispensing system hose shall not rely on the joint between the male and female threads for sealing, such as tapered pipe threads.

**5.6** The H11 and H25 nozzles shall fit within the envelope described in ISO 15501-1. All other nozzles shall fit within the envelope specified in Annex A.

**5.7** Nozzles shall have a means to prevent the ingress of solid matter from upstream sources. For example, the requirement shall be deemed met if the nozzle has a filter upstream of adequate size to protect its functionality.

**5.8** The nozzle shall be designed to operate properly at ambient temperatures ranging from  $-40\text{ }^{\circ}\text{C}$  to  $50\text{ }^{\circ}\text{C}$  and at hydrogen gas temperatures ranging from  $-40\text{ }^{\circ}\text{C}$  to  $85\text{ }^{\circ}\text{C}$ .

**5.9** The nozzle shall not have any mechanical means of opening the receptacle check valve.

## **6 Receptacles**

**6.1** Standard receptacle dimensions: A receptacle shall comply with the design specifications detailed in Annex B.

**6.2** Receptacles shall comply with all sections of this International Standard. The failure of any test conducted with the receptacle and nozzle test samples shall constitute a failure of the receptacle design.

**6.3** Receptacles shall be designed for a life of 15 000 cycles and 15 years with manufacturer specified maintenance.

**6.4** Receptacle designs, which employ means on the back diameter to accommodate mounting, or for mounting accessories or marking purposes, shall not have such means extend beyond the back diameter dimensions of the profile specified in Annex B, as applicable. Acceptable means shall include wrench flats, protective cap anchoring grooves, use of hex stock, undercutting for marking, and threads for protective caps. Such receptacle designs shall not compromise proper nozzle interchangeability.

**6.5** The receptacle shall be equipped with an internal check valve to prevent the escape of gas. The check valve shall be of the non-contact type, opening by differential pressure only.

**6.6** The means for attaching the receptacle to the vehicle fuel system shall not rely on the joint between the male and female threads for sealing, such as tapered pipe threads.

**6.7** Receptacles shall be designed so that they are either tolerant of solid contamination, or have a means to protect themselves from said contamination to maintain safe functionality. For example, the requirement shall be deemed met if the receptacle has a filter upstream of adequate size to protect the functionality of the check valve. A receptacle shall have a means to prevent the ingress of fluids and foreign matter when disconnected.

**6.8** The receptacle shall have provisions to be firmly attached to the vehicle and shall comply with applicable abnormal load tests specified in 7.10.

**6.9** The receptacle shall be designed to operate properly from  $-40\text{ }^{\circ}\text{C}$  to  $85\text{ }^{\circ}\text{C}$ .

## **7 Design verification test procedures**

### **7.1 General requirements**

A nozzle and receptacle shall meet the requirements of all sections of this International Standard.

### **7.2 Test conditions**

Unless otherwise stated:

- a) tests shall be conducted at  $20\text{ }^{\circ}\text{C} \pm 5\text{ }^{\circ}\text{C}$ ;
- b) all pressure tests shall be conducted with leak test gas unless otherwise noted;
- c) all leak tests shall be conducted with leak test gas.
- d) test fluids and devices shall be at equilibrium conditions with the test environment at the beginning of all tests.

### **7.3 Nozzle tests**

Nozzle tests shall be performed with the test fixtures identified under Annex C, Annex D or Annex E, as applicable. A new receptacle test sample shall be used for each nozzle test. The failure of any test conducted with the nozzle and receptacle test sample shall constitute a failure of the nozzle design.

### **7.4 Receptacle tests**

Receptacles shall be evaluated with nozzle(s) which have been deemed compliant to this International Standard. The failure of any test conducted with the receptacle and nozzle test samples shall constitute a failure of the receptacle design.

## 7.5 User – Machine interface

This test shall be performed to verify the connection and disconnection forces and torques of an unpressurized and pressurized device.

The disconnection forces and torques shall be applied in a direction that tends to disconnect and release the nozzle. The torque shall be applied to the disconnection/release actuator or three-way valve. For example, if there is a handle, the torque shall be applied through axis rotation of the nozzle handle equal to the exterior handling surface of the nozzle mechanism and in such a direction that tends to unhook and release the nozzle.

The test shall be deemed to be successfully passed if the following conditions are met:

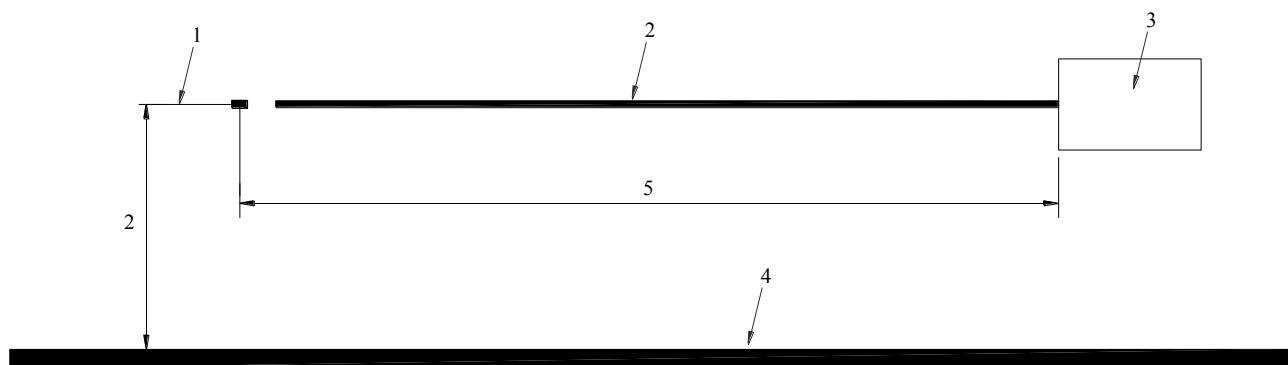
- The appearance of the nozzle and receptacle shall be such as to clearly suggest the proper method of use.
- It shall not be possible to deliver gas using any nozzles unless the nozzle and receptacle are connected properly and positively locked.
- It shall not be possible to remove a nozzle when the contained pressure is greater than 1,0 MPa.
- Upon disconnection, all types of nozzles shall stop the flow of gas. No hazardous condition shall result from disconnection. Type C nozzles shall be at 0,5 MPa during this test.
- When the contained pressure is less than or equal to 0,5 MPa, Type A and B nozzles shall be capable of being disconnected with forces less than 225 N and torques less than 7 N•m.
- On unpressurized devices the axial force to connect and lock or unlock and disconnect the device shall be less than or equal to 90 N.
- On a secondary positive locking device which incorporates a rotary locking mechanism, the torque to lock or unlock the locking means shall not exceed 1 N•m.
- On a secondary positive locking device which incorporates an axial locking mechanism, the force to lock or unlock the locking means shall not exceed 90 N.

## 7.6 Dropping

This test shall be performed to verify that a nozzle can safely withstand a drop of 2 m under  $-40\text{ }^{\circ}\text{C}$  conditions.

A nozzle conditioned at  $-40\text{ }^{\circ}\text{C}$  for 24 hours shall be connected to a 5 m length of the appropriately rated fuelling hose, and then dropped 2 m onto a concrete floor as shown in Figure 1. The nozzle shall be dropped ten times within five minutes of removal from the conditioning chamber, then pressurized to maximum working pressure and subjected to ten additional drops within five further minutes.

All dimensions are in metres

**Key**

- 1 Support
- 2 11 mm diameter fuelling hose
- 3 Coupling
- 4 Concrete floor

**Figure 1 — Test arrangement for dropping test**

Following all drops described previously, the nozzle shall be capable of normal connection to the receptacle. In addition, the nozzle shall comply with the leakage tests specified in 7.7 and 7.11 and the hydrostatic strength test (7.16).

**7.7 Leakage at room temperature**

These tests shall be performed to verify leakage rate of nozzle, receptacle, connector and receptacle check valve at room temperature.

Tests shall be conducted at 0,5 MPa and 150 % of the nominal working pressure. All devices shall be checked for leakage from the time of connection, through pressurization, to the time of disconnection.

To verify the leakage rate of the nozzle, the receptacle and the connector, pressurized leak test gas shall be applied to the inlet of the connector, the disconnected nozzle and the outlet of the disconnected receptacle.

To verify the leakage rate of the receptacle check valve, pressurized leak test gas shall be applied to the inlet of the connector. The upstream portion of the receptacle shall be quickly depressurized, the nozzle disconnected and the receptacle check-valve checked for leakage.

Following the tests described above, the nozzle, receptacle, connector and receptacle check valve shall be bubble free for 1 minute. If bubbles are detected then the leak rate shall be measured by either an external vacuum test using leak test gas (global accumulation test) or an equivalent method to show that the leak rate is less than 20 cm<sup>3</sup>/h of hydrogen at 20 °C.

**NOTE** The permitted leakage rate is applicable to tests with 100 % hydrogen only. Permitted leakage rates for other gases or gas mixtures are to be converted to an equivalent leakage rate to that for 100 % hydrogen.

**7.8 Valve operating handle**

This test shall be performed to verify that nozzles equipped with operating handles can withstand a maximum force without damage.

A 200 N force shall be applied to the valve operating handle at the point furthest away from the axis of rotation in both the opening and closing directions. The test shall be performed with the nozzle properly connected to a receptacle, and with the nozzle intentionally, improperly engaged relative to the receptacle.

Following the tests, the nozzle shall maintain safe operating functionality.

## **7.9 Receptacle vibration resistance**

This test shall be performed to verify receptacle and protective cap resistance to vibration.

The receptacle and protective cap shall be secured in a test apparatus and vibrated at each integer frequency from 5 Hz to 60 Hz for eight minutes at each frequency. The amplitude of the vibration shall be at least 1,5 mm from 5 Hz to 20 Hz, 1,2 mm from 20 Hz to 40 Hz, and 1 mm from 40 Hz to 60 Hz. The tests shall be conducted once in the axial direction, and again in the radial direction.

Following the tests, there shall be no visible damage to the receptacle and protective caps. The receptacle shall comply with all the receptacle leakage tests specified in 7.7 and 7.11 and the hydrostatic strength test (7.16).

## **7.10 Abnormal loads**

This test shall be performed to verify that the nozzle and receptacle can withstand abnormal loads in service.

The connected nozzle and receptacle may be subjected to the following abnormal loads in service:

- a) pulls along the nozzle or receptacle longitudinal axis.
- b) moments applied to the end fitting of the nozzle.

The connected nozzle and receptacle shall be able to withstand abnormal loads of  $a = 1\ 000\ \text{N}$ ,  $b = 120\ \text{N}\cdot\text{m}$  without distortion or damage.

Also, the connected nozzle and receptacle shall be able to withstand abnormal loads of  $a = 2000\ \text{N}$ ;  $b = 240\ \text{N}\cdot\text{m}$  without leakage. The moment arm shall be measured from the point of attachment of the receptacle to the vehicle body to the hose inlet of the nozzle.

The nozzle and receptacle test fixture shall be tested in the pressurized and non-pressurized condition. During the pressurized test the nozzle and receptacle test fixture shall be pressurized to maximum working pressure. The appropriate "Loose Fit" test fixture (see Annex C) shall be used for this test. The test fixture shall be mounted as a cantilever to a supporting member. For the purposes of this test, the supporting member shall be capable of withstanding the specified loads without displacement or deflection. The nozzle shall be properly connected to the test fixture.

Following the tests, the nozzle and connector shall comply with the appropriate leakage tests specified in 7.7 and 7.11 and the hydrostatic strength test (7.16).

## **7.11 Low and high temperatures**

### **7.11.1 Purpose**

These tests shall be performed to verify leakage rate and operation of nozzle, receptacle and connector at low and high temperatures.

### **7.11.2 General**

Prior to conditioning, the devices shall be purged with nitrogen and then sealed from atmosphere under a pressure of 7 MPa leak test gas. All tests shall be conducted while the devices are continuing to be exposed to the specified test temperatures. The outlet of the device shall be plugged and the test pressure shall be applied to the inlet of the device.

### 7.11.3 Leakage tests

Fuelling connection devices shall be leak tested in accordance with the test conditions listed below after 2 hours of conditioning for the components and leak detector (if used):

- a) The nozzle and receptacle coupled, conditioned at  $-40\text{ }^{\circ}\text{C}$  and pressurised at 0,5 MPa and maximum working pressure.
- b) The nozzle and receptacle coupled, conditioned at  $50\text{ }^{\circ}\text{C}$  and pressurised at 1 MPa and maximum working pressure.
- c) The receptacle uncoupled, conditioned at  $-40\text{ }^{\circ}\text{C}$  and pressurised at 0,5 MPa and maximum working pressure.
- d) The receptacle uncoupled, conditioned at  $85\text{ }^{\circ}\text{C}$  and pressurised at 1 MPa and maximum working pressure.
- e) The nozzle uncoupled, conditioned at  $-40\text{ }^{\circ}\text{C}$  and pressurised at 0,5 MPa and maximum working pressure.
- f) The nozzle uncoupled, conditioned at  $50\text{ }^{\circ}\text{C}$  and pressurised at 1 MPa and maximum working pressure.

Pressurised leak test gas shall be applied to the test components. The external body shall then be checked for bubble tight leakage using:

- a) At  $-40\text{ }^{\circ}\text{C}$ , immersion in a 100 % denatured ethyl alcohol mixture for 1 min.
- b) At  $50\text{ }^{\circ}\text{C}$  or  $85\text{ }^{\circ}\text{C}$ , immersion in  $50\text{ }^{\circ}\text{C}$  or  $85\text{ }^{\circ}\text{C}$  water for 1 min.

Following the tests, the nozzle, receptacle and connector shall be bubble free for 1 minute or have a leak rate less than  $20\text{ cm}^3/\text{h}$  at  $20\text{ }^{\circ}\text{C}$ .

NOTE The permitted leakage rate is applicable to tests with 100 % hydrogen only. Permitted leakage rates for other gases or gas mixtures are to be converted to an equivalent leakage rate to that for 100 % hydrogen.

### 7.11.4 Operation tests

The devices shall function under the following conditions.

- a) The nozzle and receptacle connected and disconnected ten times when conditioned at  $-40\text{ }^{\circ}\text{C}$  and pressurised to maximum working pressure.
- b) The nozzle and receptacle connected and disconnected ten times when conditioned at  $85\text{ }^{\circ}\text{C}$  and pressurised to maximum of working pressure.

Following the tests, the devices shall connect and disconnect normally and deliver gas.

## 7.12 Durability and maintainability

### 7.12.1 Purpose

These tests shall be performed to verify that the nozzle, receptacle, receptacle check valve and connector can withstand durability cycling.

### 7.12.2 Nozzle durability test

During the following tests, all devices shall be maintained according to the manufacturer's instructions.



Requirements for maintenance at cycles less than specified by the manufacturer shall be considered as non-compliant with this International Standard.

The nozzle shall be capable of withstanding 100 000 cycles. For the purpose of this test, one cycle of operation for Type A, B and C nozzles shall be as follows.

- a) Properly connecting the nozzle to the receptacle test fixture.
- b) Pressurizing the connector to maximum working pressure using leak test gas.
- c) Depressurizing the connector.
- d) Disconnecting the nozzle.

While disconnected the test fixture shall be rotated relative to the nozzle at random or equal degree increments throughout this test.

The receptacle test fixture shall be replaced at 15 000 cycle intervals as specified in Table 1 below.

At the end of the 100 000 cycles the nozzle locking mechanism shall be checked at the normal disconnect pressure to ensure it is properly engaged on the receptacle.

**Table 1 — Test fixture selection for nozzle durability tests**

Cycle numbers in thousands	Figure	Geometry
0-15, 75-90	Annex D	Tight fit
15-30	Annex D	Tight fit
30-45, 90-100	Annex C	Loose fit
45-60	Annex C	Loose fit
60-75	Annex D	Tight fit

At the end of the 100 000 cycles the nozzle shall comply with 7.5, 7.7, 7.11 and 7.15. The nozzle shall comply with 7.7 when tested with the appropriate simulated wear pattern test fixture shown in Annex E, as applicable.

After 15 000 cycles, the worn receptacle test fixtures shall not be in excess of wear patterns shown in Annex E as applicable and shall comply with 7.7.

**7.12.3 Receptacle check valve durability test**

The receptacle check valve shall be capable of withstanding 15 000 operational cycles. For the purposes of this test, one cycle of operation shall be:

- a) Properly connecting the receptacle to the nozzle test fixture.
- b) Pressurizing the connector to nominal working pressure in 6 pulses using leak test gas.
- c) Depressurizing the connector by first venting the upstream side of the receptacle check valve and then lowering the pressure on the downstream side of the receptacle check valve to between 0 and a maximum of 0,5 MPa prior to the next cycle.

Following 15 000 cycles of operation, the receptacle check valve shall then be subjected to 240 hours of flow at the inlet/outlet flow conditions that cause the most severe chatter.

Following the test, the receptacle check valve shall comply with the leakage tests specified in 7.7 and 10.8 and the electrical resistance test as specified in 7.15.

#### **7.12.4 Receptacle durability test**

The receptacle shall be capable of withstanding 15 000 operational cycles. For the purposes of this test, one cycle of operation shall be:

- a) Properly connecting the receptacle to the nozzle.
- b) Pressurizing the connector to maximum working pressure using leak test gas.
- c) Holding maximum working pressure for 30 seconds, minimum.
- d) Depressurizing the connector.
- e) Disconnecting the nozzle.

Following the tests, the receptacle shall then comply with the leakage tests specified in 7.7 and 10.8 and the electrical resistance test specified in 7.15.

#### **7.12.5 Connected nozzle and receptacle durability test**

A nozzle test fixture or a receptacle test fixture, as applicable, shall be connected to the device under test. The outlet of the receptacle shall be open to atmospheric pressure. The supply port of the nozzle shall be connected to a supply system which will supply sufficient leak test gas as required below.

Each nozzle and receptacle shall be cycled for 30 cycles. Each cycle shall consist of a total of the full flow of gas with the supply pressure starting at nominal working pressure. A cycle shall be two seconds in length and the supply pressure shall not fall below 80 % nominal working pressure at the end of each cycle. The test supply system shall not limit the flow during this test.

Following the tests, the connected nozzle and receptacle shall then comply with the leakage tests specified in 7.7 and 7.11.

### **7.13 Sealing material aging test**

#### **7.13.1 Purpose**

These tests shall be performed to verify sealing material resistance to aging.

#### **7.13.2 Oxygen aging test procedure**

Sealing materials shall be listed and rated by the manufacturer as being resistant to oxygen aging. Samples of synthetic material parts shall be subjected to 96 hours of exposure at 70 °C and at 2 MPa. This test shall be conducted in accordance with ISO 188.

Following the tests, synthetic material parts of fuelling connection devices shall not crack or show visible evidence of deterioration.

#### **7.13.3 Ozone aging test procedure**

Sealing materials exposed to the atmosphere without the continuous presence of internal gas pressure (e.g. receptacle face seal O-ring) shall be listed and rated by the manufacturer as being resistant to ozone aging. Samples of synthetic material parts shall be stressed to 20 % elongation and exposed to air at 40 °C with an ozone concentration of 0,5 parts per million for a period of 120 hours. This test shall be conducted in accordance with ISO 1431-1.

Following the tests, synthetic material parts of fuelling connection devices shall not crack or show visible evidence of deterioration.

### 7.14 Non-metallic material hydrogen resistance test

This test shall be performed to verify wetted non-metallic material resistance to hydrogen.

Representative sample(s) of wetted non-metallic material shall be prepared, measured and weighed. The samples shall then be immersed in hydrogen at nominal working pressure for 168 hours at  $20\text{ °C} \pm 5\text{ °C}$ . Following this time period, the test pressure shall be reduced to atmospheric pressure in less time than the seals would have to depressurise in actual service, not to exceed 1 second.

Following the tests, the test samples shall not exhibit evidence of explosive decompression damage. In addition, the samples shall not swell more than 25 %, shrink more than one percent and incur a weight loss in excess of 10 %.

### 7.15 Electrical resistance

This test shall be performed to verify the electrical resistance of the connector.

The electrical resistance of the connector shall be measured.

The electrical resistance of the connected receptacle and nozzle shall not be greater than 1 000 ohms either in the pressurised or unpressurised state.

### 7.16 Hydrostatic strength

These tests shall be performed to verify the hydrostatic strength of the nozzle, receptacle and connector.

NOTE Because the hydrostatic strength test is a terminal test, do not use the test samples for any other subsequent testing.

Outlet openings of the uncoupled nozzle, the uncoupled receptacle and the connector shall be plugged and valve seats or internal blocks made to assume the open position. A hydrostatic pressure of 3 times maximum working pressure shall be applied to the nozzle, to the receptacle as well as the connector for a period of at least three minutes.

During the test, then uncoupled nozzle, the uncoupled receptacle and the connector shall not leak.

### 7.17 Corrosion resistance

#### 7.17.1 Purpose

These tests shall be performed to verify nozzle and receptacle resistance to corrosion.

#### 7.17.2 General

New samples shall be used. Protective caps shall be in place. Vent holes in the protective caps shall not be plugged. Process connections may be plugged.

#### 7.17.3 Nozzle test

The nozzle and the receptacle shall be supported in a horizontal position. The nozzle shall be exposed for 96 hours to a salt spray as specified in ISO 9227.

Throughout the test, the temperature within the test chamber shall be maintained between 33 °C and 36 °C. The salt spray solution shall consist of a mass fraction of 5 % of sodium chloride and 95 % distilled water.

A pressure of 0,5 MPa of air shall also be continuously applied to the inlet of the nozzle. The nozzle shall be operated once an hour to dispense air (to the atmosphere through a dummy receptacle) during the first eight hour test period.

Immediately following the 96 hour test the nozzle shall be rinsed and gently cleaned of salt deposits.

The nozzle shall not show evidence of corrosion or loss of protective coatings and shall comply with the leakage tests specified in 7.7.

#### **7.17.4 Receptacle test**

The receptacle shall be supported in a horizontal position and shall be exposed for 1 000 hours to a salt spray as specified in ISO 9227. Throughout the test, the temperature within the test chamber shall be maintained between 33 °C and 36 °C. The salt spray solution shall consist of a mass fraction of 5 % sodium chloride and 95 % distilled water.

Immediately following the 1 000 hour test, the areas of receptacles protected by dust caps shall be examined. The receptacle shall then be rinsed and gently cleaned of salt deposits.

The receptacle shall not show evidence of corrosion or loss of protective coatings and there shall be no evidence that water has entered the area protected by dust caps. The receptacle shall then comply with the leakage tests specified in 7.7.

#### **7.18 Deformation**

This test shall be performed to verify that field connected/assembled parts can withstand a specified installation over-torque.

The nozzle and the receptacle shall be connected and assembled to 150 % of the manufacturer's assembly torque.

While still connected and assembled, the connector shall comply with the leakage tests specified in 7.7 and the hydrostatic strength test specified in 7.16.

#### **7.19 Contamination test**

This test shall be performed to verify that the nozzle and receptacle can withstand contamination.

A tank or vessel shall be filled to a depth of 100 mm ± 5 mm with a solution/suspension having a volume fraction of 5 % salt and sand complying to A4 coarse grade of test dust of ISO 12103-1, or the equivalent dissolved/suspended in distilled water. The connection end of the nozzle and receptacle shall be dipped into the solution/suspension for one to five seconds and removed. The nozzle and receptacle shall be dipped in a manner that the entire connection area is submerged without touching the bottom.

After dipping both the nozzle and receptacle in the solution/suspension, the receptacle and nozzle shall be connected. The coupled pair shall have leak test gas at the maximum working pressure blown through for 5 s for 10 consecutive cycles. The nozzle and receptacle shall not be cleaned during the test.

The connector shall be subjected to the leakage test specified in 7.7 after each cycle.

#### **7.20 Thermal cycle test**

This test shall be performed to verify that the nozzle and receptacle can withstand thermal cycling.

The nozzle, receptacle, and a connector shall be pressurized to the nominal working pressure. The components shall be subjected to an external temperature of 85 °C within one half hour, and soaked at that temperature for 2 hours. The components shall then be subjected to an external temperature of -40 °C in less than one hour and soaked at that temperature for 2 hours. Finally, the external temperature shall be returned to 15 °C within one half hour to complete the cycle. This cycle shall be repeated 100 times.

The nozzle, receptacle and connector shall comply with the leakage tests specified in 7.7 and 7.11 and the hydrostatic strength test specified in 7.16.

### 7.21 Pre-cooled hydrogen exposure test

This test shall be performed to verify that the nozzle and receptacle can withstand exposure to pre-cooled hydrogen during fuelling.

The connector shall be subjected to pre-cooled hydrogen gas at -40 °C at a flow rate of 30 g/s at 15 °C and 90 % relative humidity for a minimum of 3 minutes. The nozzle shall be depressurized, then disconnected within 10 seconds and re-connected to the receptacle after a two minute hold period. This test shall be repeated 10 times.

This test procedure shall be repeated for an additional ten cycles, except that the hold period shall be increased to 15 minutes.

The nozzle, receptacle and connector shall comply with the leakage tests specified in 7.7 and 7.11. Failure to disconnect the nozzle within 10 seconds shall constitute failure of the test.

### 7.22 Misconnected nozzle test

This test shall be performed to verify that a misconnected nozzle shall not flow gas.

A series of thin shims as shown in Figure 2 shall be inserted in the space between the nozzle and the stop ring of the receptacle to create a misconnected condition. If it is not possible to manufacture a shim small enough to create a misconnected condition, the receptacle stop ring position shall be adjusted to accommodate the shim (see Figure 3).

The connector shall be subjected to 10 MPa leak test gas for 1 minute.

The test shall be repeated with the use of 90 degree arc shims.

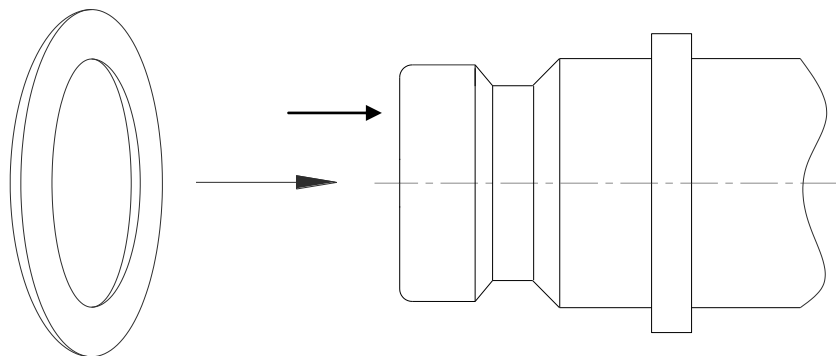
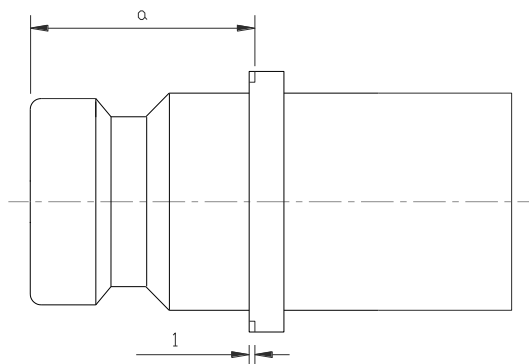


Figure 2 — Use of shims to create a misconnected connector

**Key**

1 Adjustment depth

<sup>a</sup> 30 mm for 35 MPa and 40 mm for 70 MPa**Figure 3 — Adjustment of stop ring position to accommodate a shim**

The nozzle shall not flow gas in the misconnected state.

**7.23 Upward/downward nozzle compatibility test**

This test shall be performed to verify that a nozzle shall connect to a receptacle rated to a higher nominal working pressure, and to verify that a nozzle shall not connect to a receptacle rated to a lower nominal working pressure.

**7.23.1 Upwards nozzle compatibility test**

The nozzle shall be connected to representative receptacles rated to a higher nominal working pressure and pressurized with leak test gas.

The connector shall comply with the leakage tests specified in 7.7 and 7.11.

**7.23.2 Downwards nozzle compatibility test**

Attempts shall be made to connect the nozzle to representative receptacles of maximum length tolerance rated to a lower nominal working pressure.

The nozzle shall not connect to representative receptacles rated to a lower nominal working pressure.

**8 Instructions**

Instructions and provisions required by this Clause are to be in an easily understandable form.

Manufacturers of receptacles and nozzles shall provide clear and concise printed instructions and diagrams in a form that can be easily understood and are adequate for:

- a) proper field assembly;
- b) installation;
- c) safe operation by all users;
- d) suitability and use; and
- e) transport, storage and handling.

Special tools required for connection of receptacles to tubing shall be clearly identified in the instructions.

In addition, the manufacturer shall provide clear instructions on the required maintenance and required periodic inspection of components as well as the expected service life of the receptacle and nozzle including the expected service life of components, if different.

## **9 Marking**

Markings required by this Clause shall be in a legible and easily understandable form. These markings shall be embossed, cast, low stress stamped or otherwise formed in the part or a permanently attached plate. This includes markings baked into an enamelled surface. Permanently attached marking plates shall be securely attached by mechanical means. All markings shall be at least 2,5 mm high.

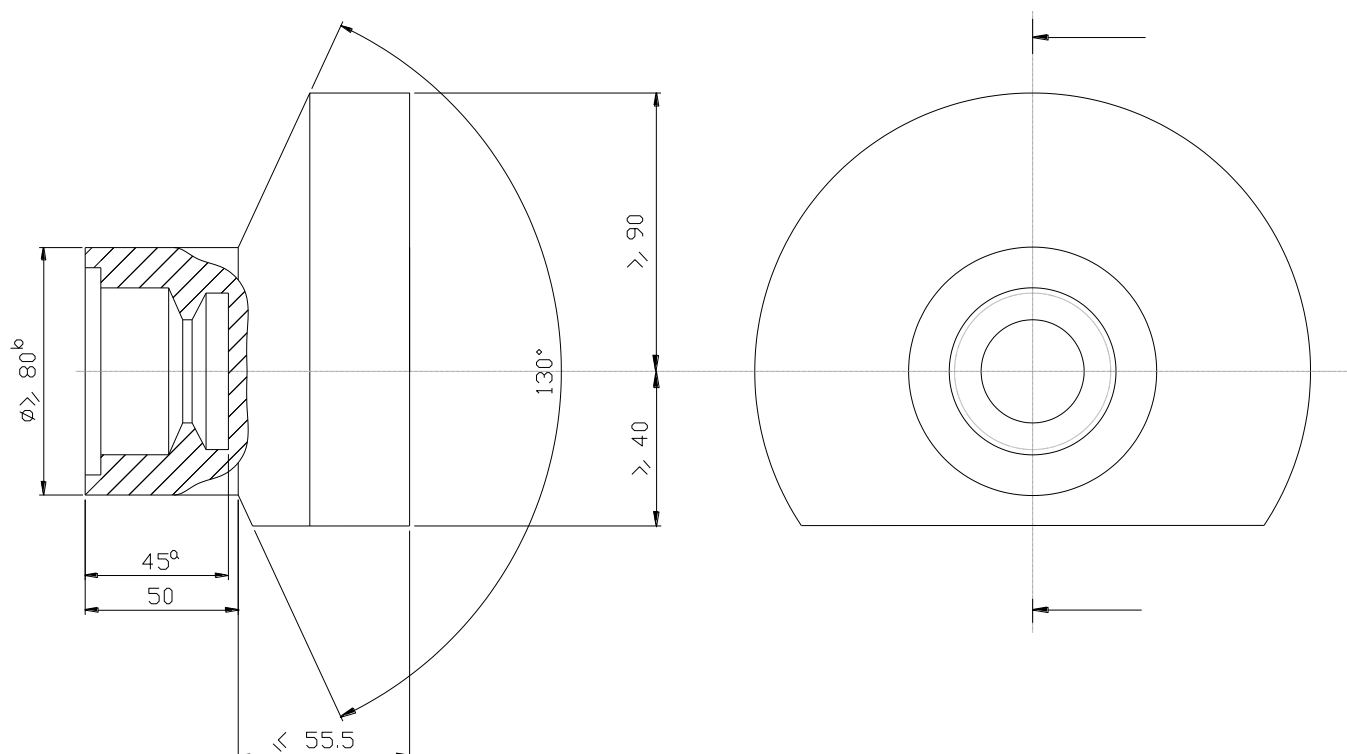
Nozzles and receptacles shall bear the following information:

- a) The manufacturer's or dealer's name, trademark or symbol;
- b) The model designation;
- c) The appropriate standard designation, H11, H25, H35, H35HF or H70;
- d) The applicable Type A, B or C (Nozzles only);
- e) In the case of Type A nozzle, the direction of the ON and OFF operation of the actuating mechanism;
- f) Marking for traceability of receptacles in suitable lots. Nozzles shall carry individual serial numbers.
- g) A marking to identify this International Standard shall be provided for nozzles and receptacles. This marking may be located on the package or on a notice placed inside the package in which the device is shipped.

## Annex A (normative)

### Receptacle/nozzle interface envelope

All dimensions are in millimetres



NOTE Depending on the vehicle design, the overall depth of the fuelling cavity need not be as large as indicated here.

<sup>a</sup> Minimum length of the receptacle that shall be clear of provisions for attachment of receptacle or protective cap.

<sup>b</sup> For minimum coupling clearance only. System designers shall ensure that the dust or protective cap operates freely in the provided space.

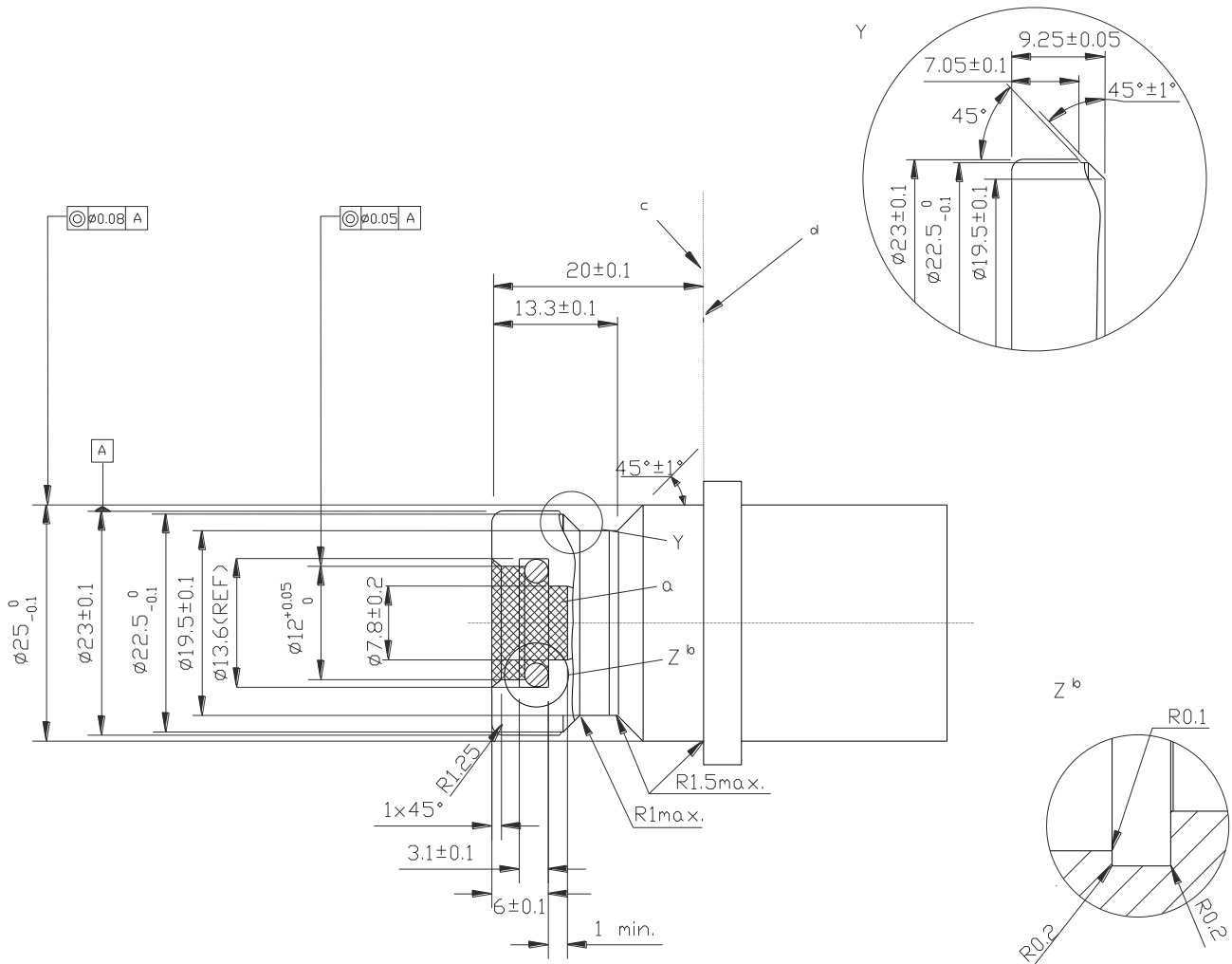
**Figure A.1 — Receptacle/nozzle interface envelope**



**Annex B**  
(normative)

**Hydrogen Receptacles**

All dimensions are in millimetres

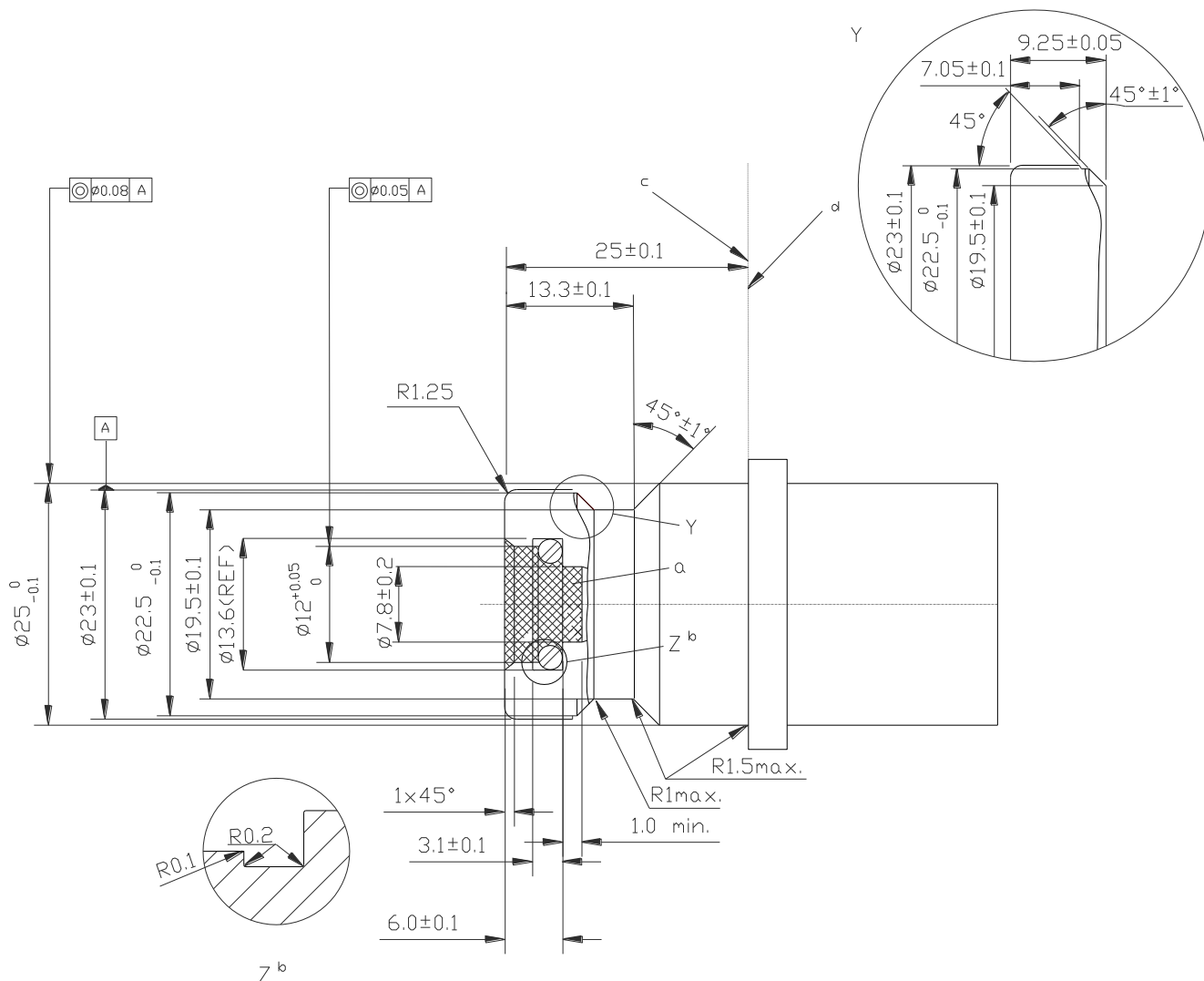


Material shall be 316 L Stainless steel with a minimum hardness of 80 Rockwell B (HRB). Unless otherwise specified, surface finish shall be 0,4 µm to 3,2 µm.

- a Shaded area represents an area, which shall be kept free of all components except for the seal. Surface finish shall be 0,8 µm ± 0,05 µm.
- b Reference sealing material surface to a no. 110 O-Ring with the following dimensions: internal diameter: 9,19 mm ± 0,13 mm; width: 2,62 mm ± 0,08 mm
- c Nozzle side: No part of the nozzle assembly shall extend beyond the receptacle stop ring.
- d Vehicle side: The stop ring shall have a continuous shape that has an effective diameter of 30 mm or more and a thickness greater than 5 mm.

**Figure B.1 — H11 Hydrogen Receptacle**

All dimensions are in millimetres

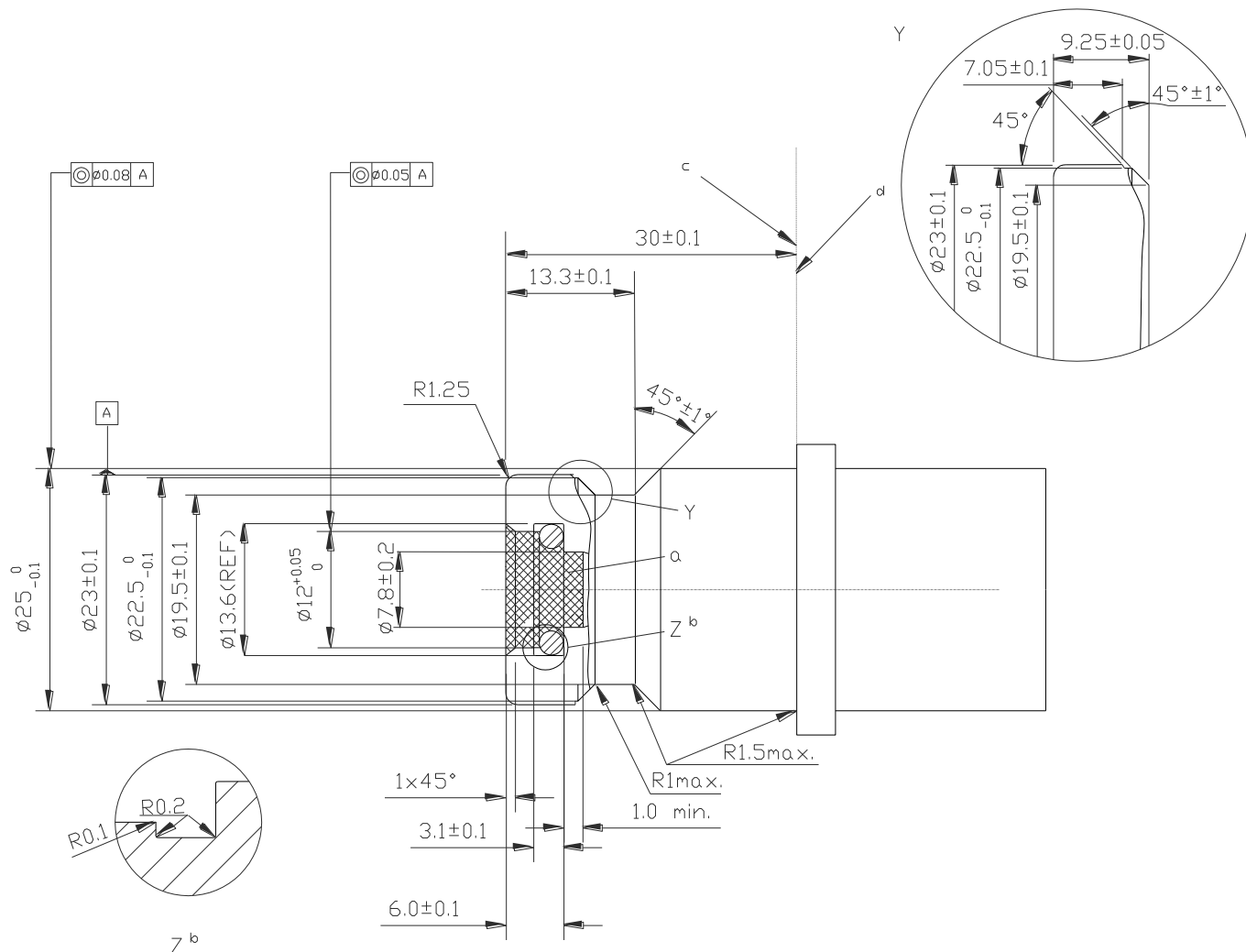


Material shall be 316 L Stainless steel with a minimum hardness of 80 Rockwell B (HRB). Unless otherwise specified, surface finish shall be 0,4  $\mu\text{m}$  to 3,2  $\mu\text{m}$ .

- <sup>a</sup> Shaded area represents an area, which shall be kept free of all components except for the seal. Surface finish shall be 0,8  $\mu\text{m} \pm 0,05 \mu\text{m}$ .
- <sup>b</sup> Reference sealing material surface to a no. 110 O-Ring with the following dimensions: internal diameter: 9,19 mm  $\pm 0,13$  mm; width: 2,62 mm  $\pm 0,08$  mm
- <sup>c</sup> Nozzle side: No part of the nozzle assembly shall extend beyond the receptacle stop ring.
- <sup>d</sup> Vehicle side: The stop ring shall have a continuous shape that has an effective diameter of 30 mm or more and a thickness greater than 5 mm.

**Figure B.2 — H25 Hydrogen receptacle**

All dimensions are in millimetres

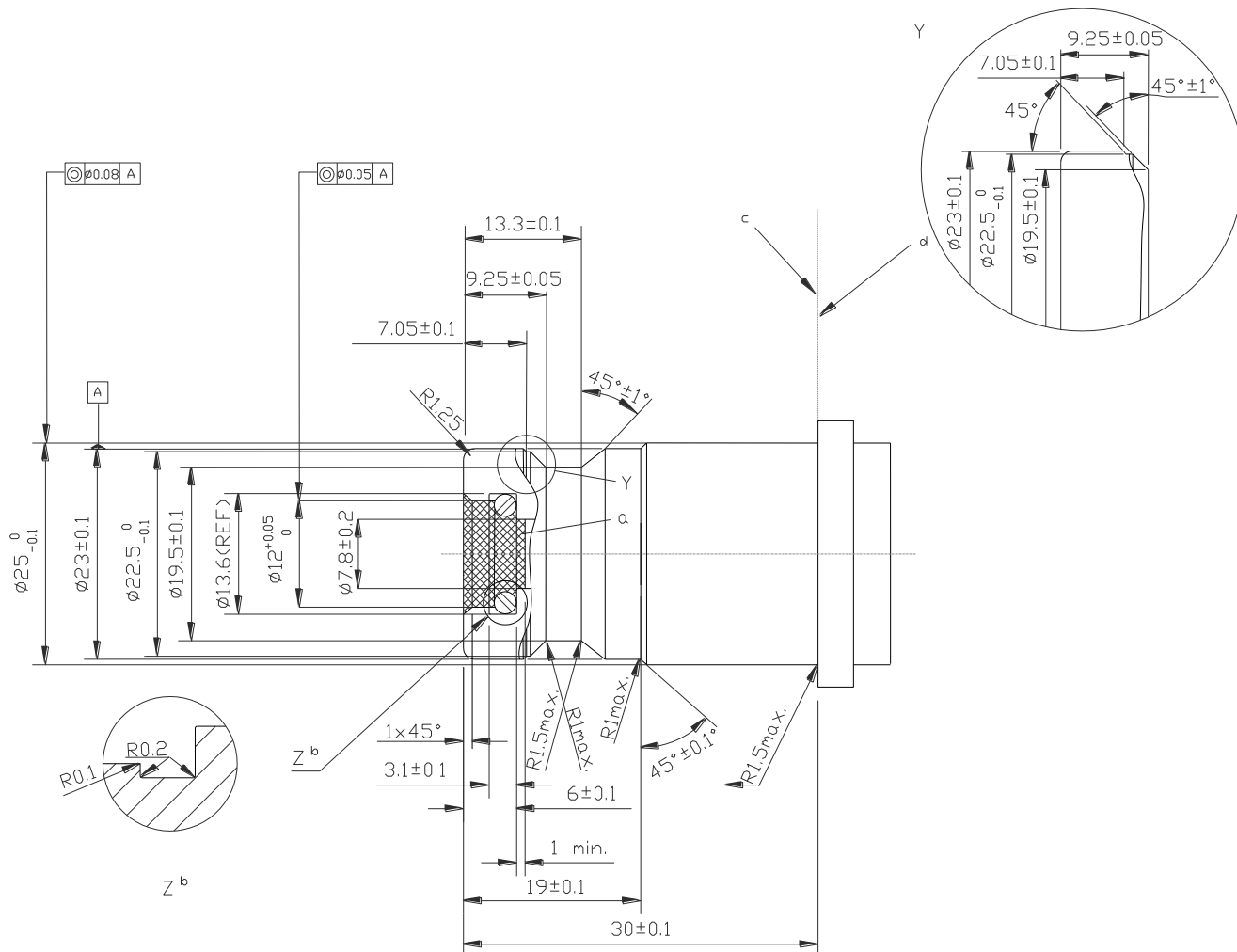


Material shall be 316 L Stainless steel with a minimum hardness of 80 Rockwell B (HRB). Unless otherwise specified, surface finish shall be 0,4 µm to 3,2 µm.

- <sup>a</sup> Shaded area represents an area, which shall be kept free of all components except for the seal. Surface finish shall be 0,8 µm ± 0,05 µm.
- <sup>b</sup> Reference sealing material surface to a no. 110 O-Ring with the following dimensions: internal diameter: 9,19 mm ± 0,13 mm; width: 2,62 mm ± 0,08 mm
- <sup>c</sup> Nozzle side: No part of the nozzle assembly shall extend beyond the receptacle stop ring.
- <sup>d</sup> Vehicle side: The stop ring shall have a continuous shape that has an effective diameter of 30 mm or more and a thickness greater than 5 mm.

Figure B.3 — H35 Hydrogen Receptacle

All dimensions are in millimetres

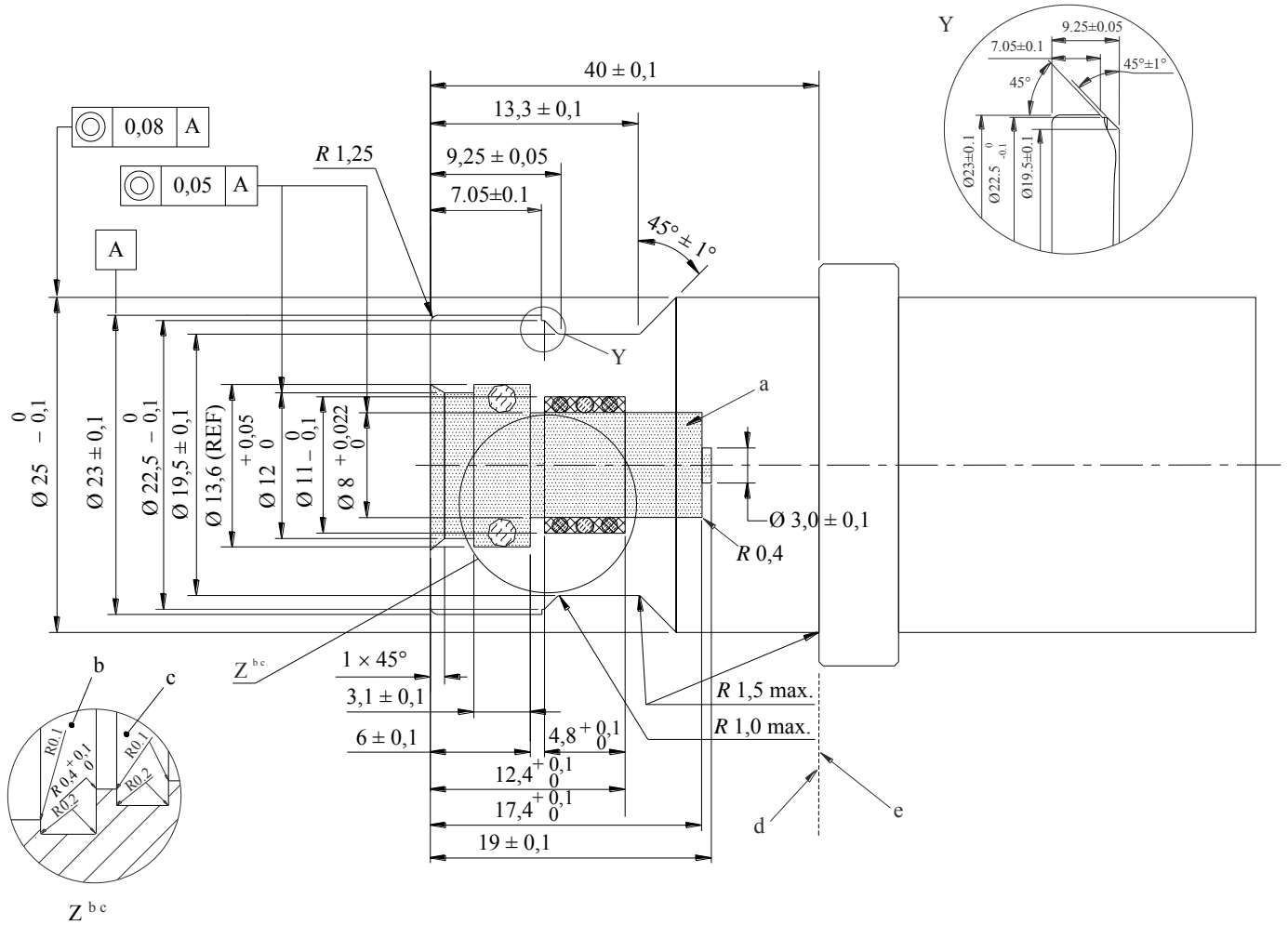


Material shall be 316 L Stainless steel with a minimum hardness of 80 Rockwell B (HRB). Unless otherwise specified, surface finish shall be  $0,4 \mu\text{m}$  to  $3,2 \mu\text{m}$ .

- <sup>a</sup> Shaded area represents an area, which shall be kept free of all components except for the seal. Surface finish shall be  $0,8 \mu\text{m} \pm 0,05 \mu\text{m}$ .
- <sup>b</sup> Reference sealing material surface to a no. 110 O-Ring with the following dimensions: internal diameter:  $9,19 \text{ mm} \pm 0,13 \text{ mm}$ ; width:  $2,62 \text{ mm} \pm 0,08 \text{ mm}$
- <sup>c</sup> Nozzle side: No part of the nozzle assembly shall extend beyond the receptacle stop ring.
- <sup>d</sup> Vehicle side: The stop ring shall have a continuous shape that has an effective diameter of 30 mm or more and a thickness greater than 5 mm.

**Figure B.4 — H35F Hydrogen Receptacle (high flow for commercial vehicle applications)**

All dimensions are in millimetres



Material shall be 316 L Stainless steel with the following mechanical properties: material hardness: 80-100 Rockwell B (HRB) minimum; 0,2 % yield strength: 290 MPa - 440 MPa; tensile strength: 500 MPa – 700 MPa

**a** Shaded area represents an area, which shall be kept free of all components except for the seals and anti extrusion rings. Surface finish shall be  $0,8 \mu\text{m} \pm 0,05 \mu\text{m}$ .

**b** Reference sealing material surface to a no. 110 O-Ring with the following dimensions: internal diameter:  $9,19 \text{ mm} \pm 0,13 \text{ mm}$ ; width:  $2,62 \text{ mm} \pm 0,08 \text{ mm}$ .

**c** Reference sealing material surface to a no. 011 O-Ring with the following dimensions: internal diameter:  $7,65 \text{ mm} \pm 0,13 \text{ mm}$ ; width:  $1,78 \text{ mm} \pm 0,08 \text{ mm}$ , mounted with two suitable anti extrusion rings.

Unless otherwise specified, surface finish shall be  $0,4 \mu\text{m}$  to  $3,2 \mu\text{m}$ .

**d** Nozzle side: No part of the nozzle assembly shall extend beyond the receptacle stop ring.

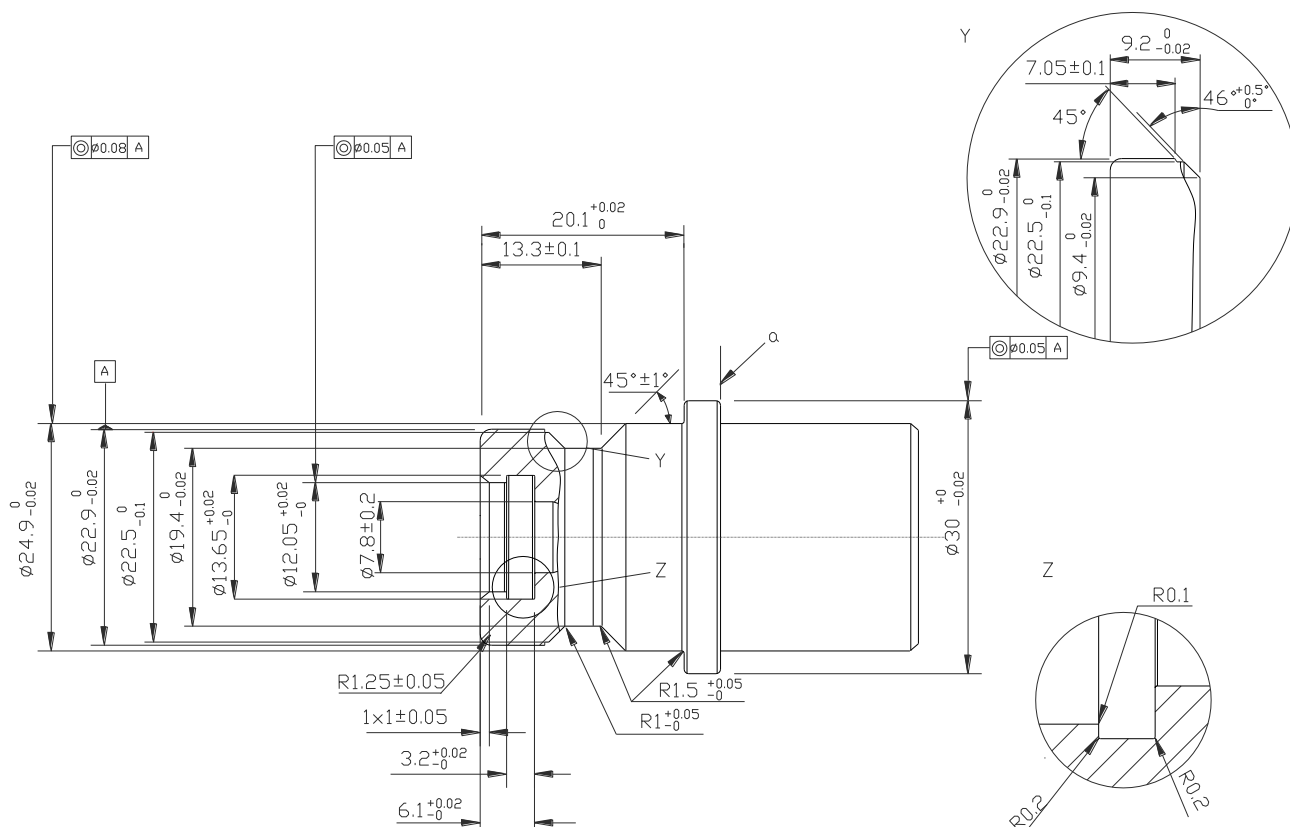
**e** Vehicle side: The stop ring shall have a continuous shape that has an effective diameter of 30 mm or more and a thickness greater than 5 mm.

**Figure B.5 — H70 Hydrogen Receptacle**

## Annex C (normative)

### Loose fit test fixtures

All dimensions are in millimetres

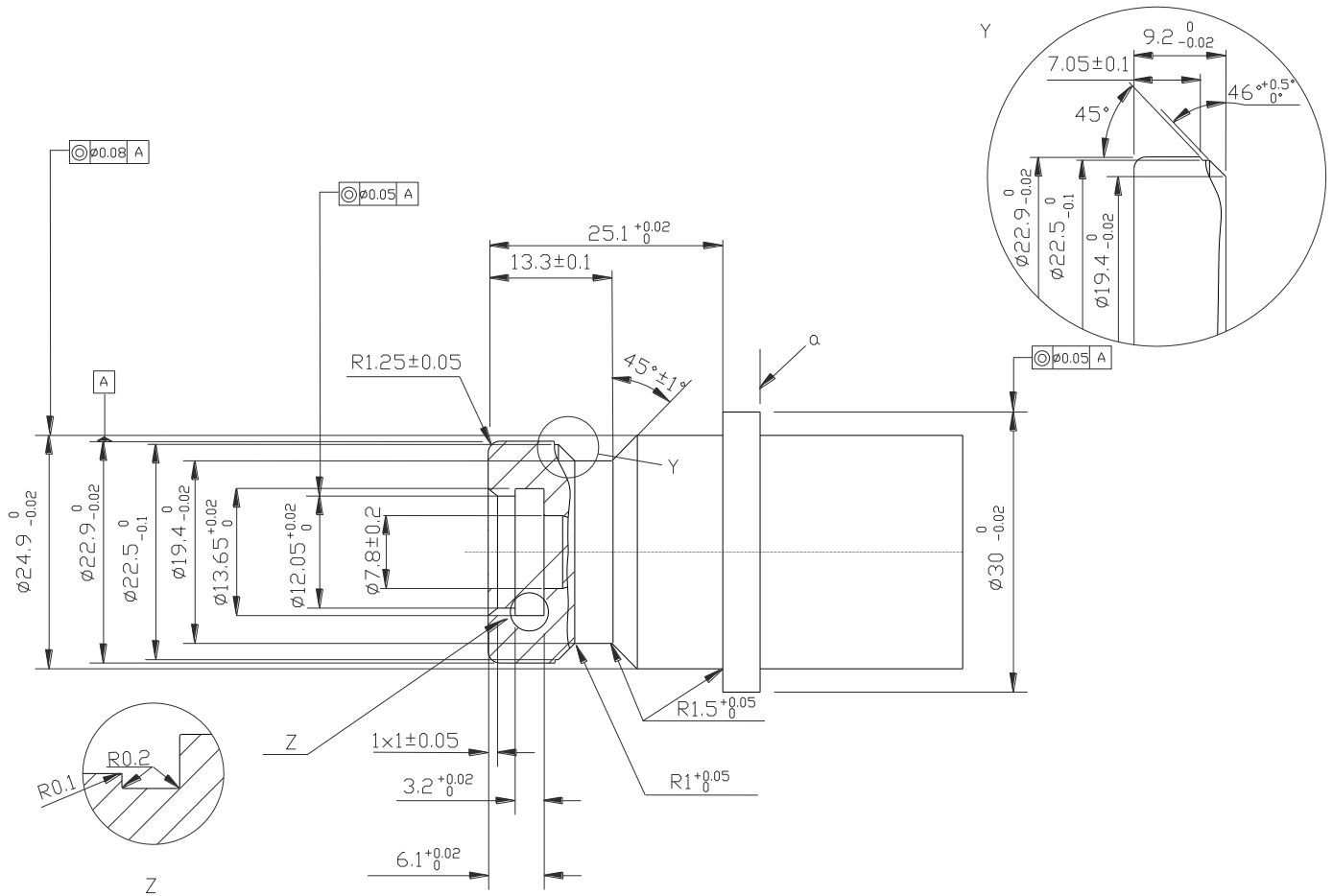


Material shall be 316 L Stainless steel with a minimum hardness of 80 Rockwell B (HRB). Surface finish shall be  $0,4 \mu\text{m} \pm 0,05 \mu\text{m}$ .

<sup>a</sup> The stop ring shall have a thickness greater than 5 mm.

Figure C.1 — H11 Loose fit test fixture

All dimensions are in millimetres

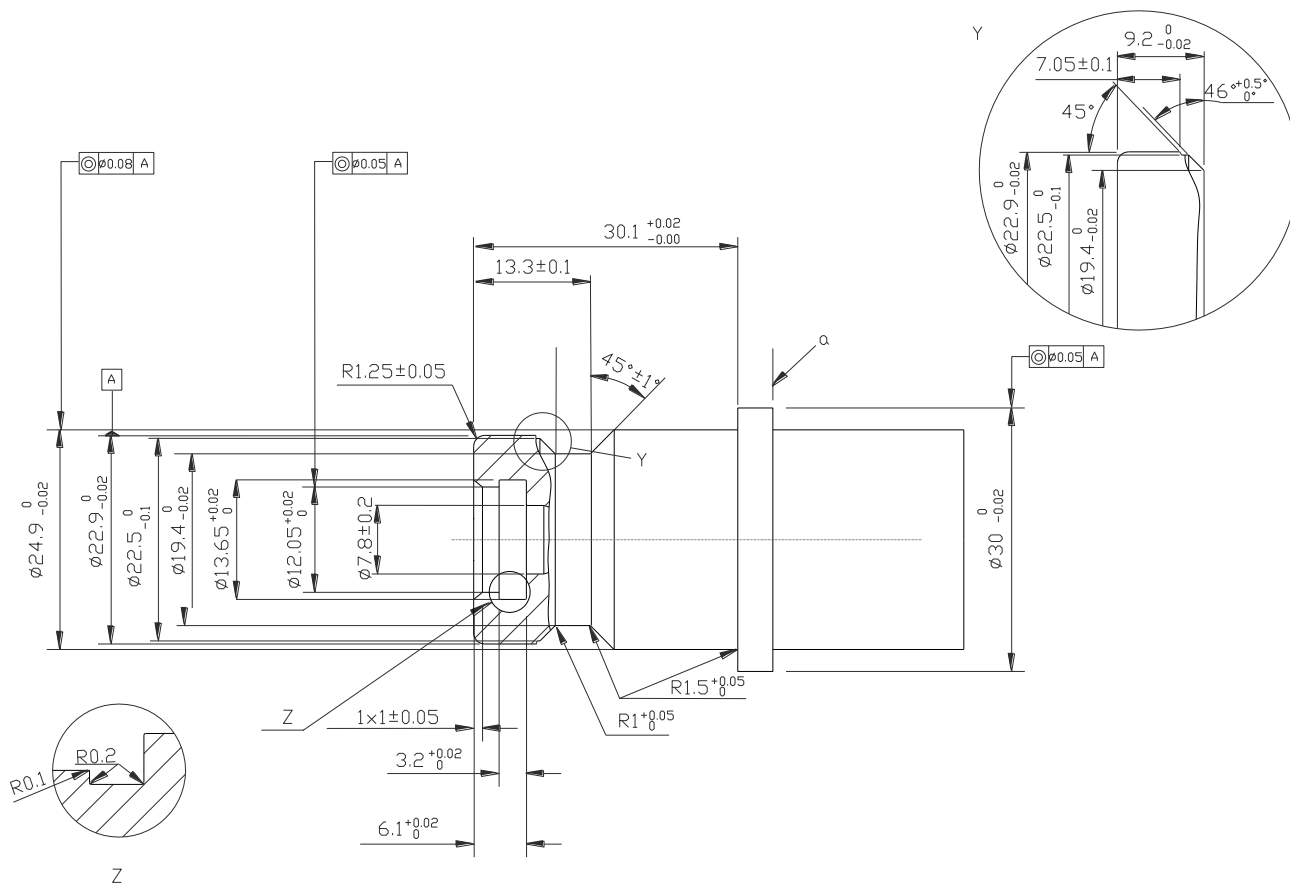


Material shall be 316 L Stainless steel with a minimum hardness of 80 Rockwell B (HRB). Surface finish shall be  $0,4 \mu\text{m} \pm 0,05 \mu\text{m}$ .

<sup>a</sup> The stop ring shall have a thickness greater than 5 mm.

Figure C.2 — H25 Loose fit test fixture

All dimensions are in millimetres



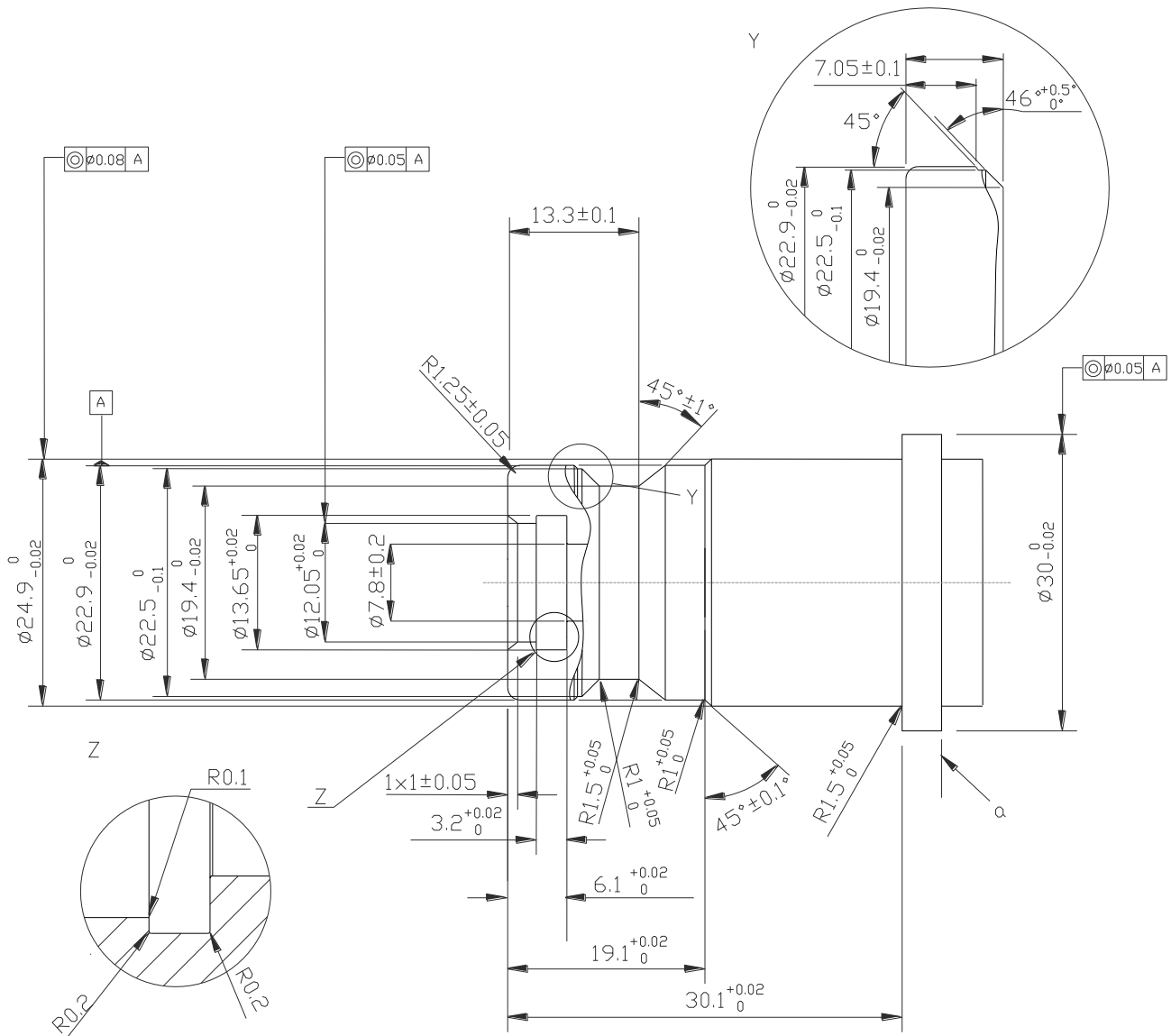
Material shall be 316 L Stainless steel with a minimum hardness of 80 Rockwell B (HRB). Surface finish shall be  $0,4 \mu\text{m} \pm 0,05 \mu\text{m}$ .

<sup>a</sup> The stop ring shall have a thickness greater than 5 mm.

Figure C.3 — H35 Loose fit test fixture



All dimensions are in millimetres

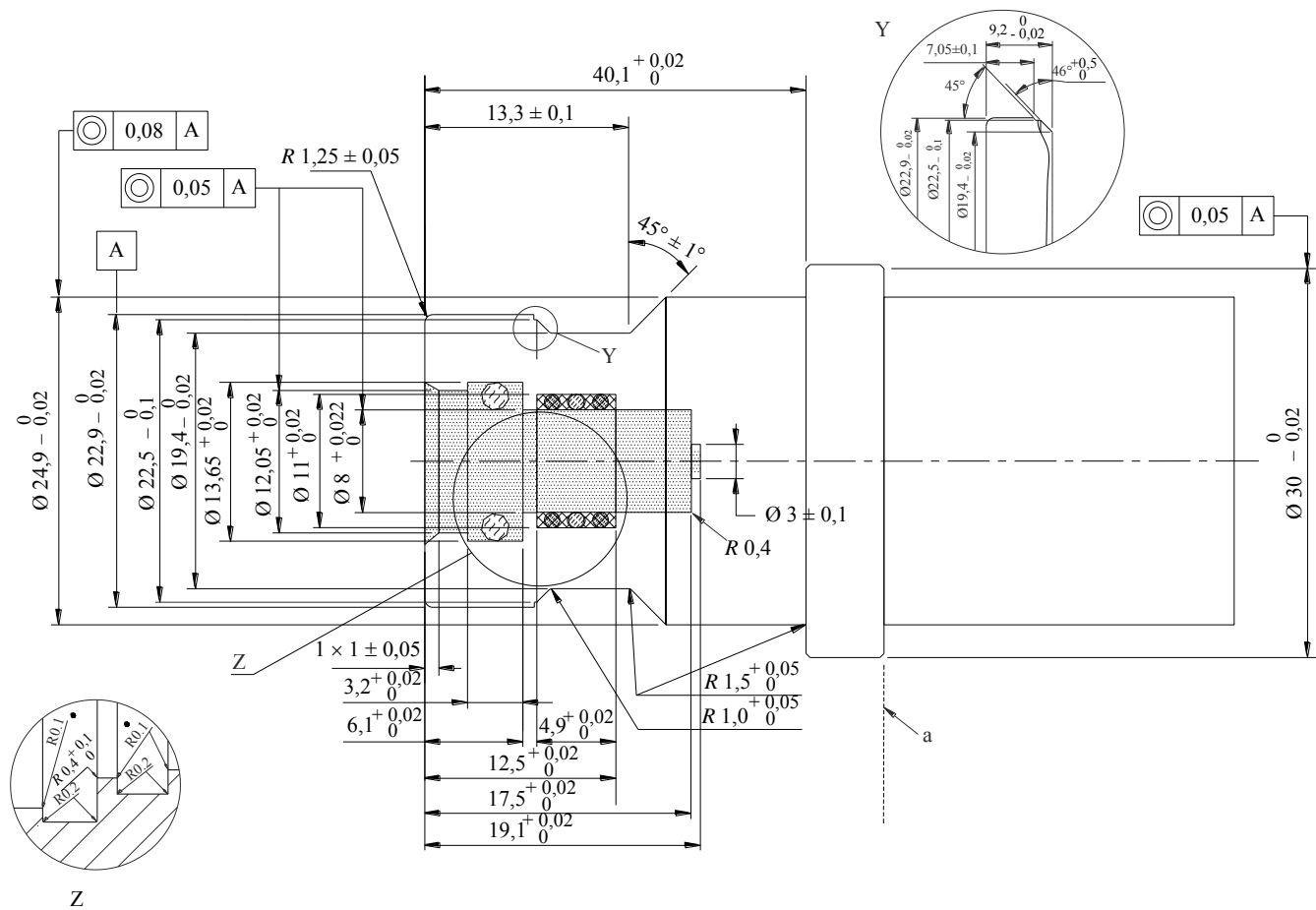


Material shall be 316 L Stainless steel with a minimum hardness of 80 Rockwell B (HRB). Surface finish shall be  $0,4 \mu\text{m} \pm 0,05 \mu\text{m}$ .

<sup>a</sup> The stop ring shall have a thickness greater than 5 mm.

Figure C.4 — H35HF Loose fit test fixture

All dimensions are in millimetres



Material shall be 316 L Stainless steel with a minimum hardness of 80 Rockwell B (HRB). Surface finish shall be  $0,4 \mu\text{m} \pm 0,05 \mu\text{m}$ .

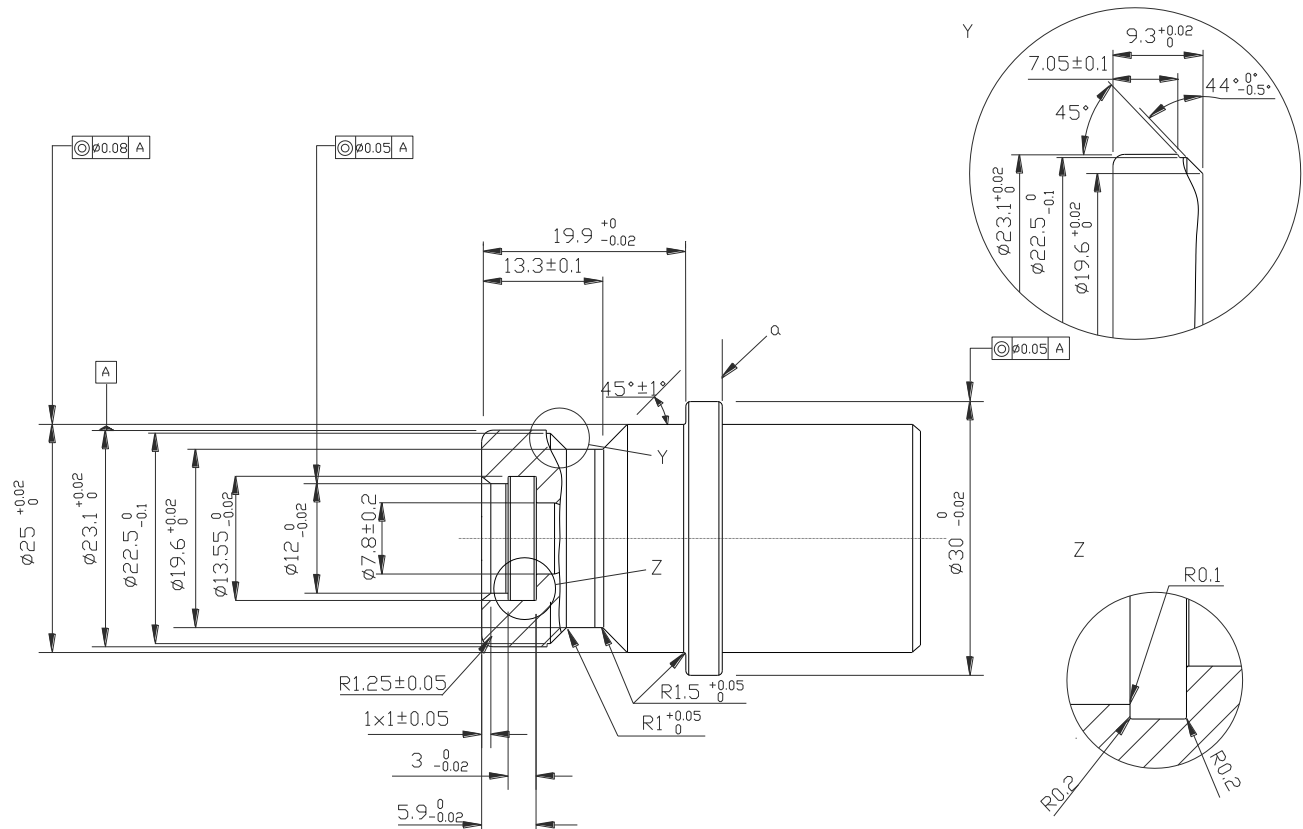
<sup>a</sup> The stop ring shall have a thickness greater than 5 mm.

Figure C.5 — H7 Loose fit test fixture

## Annex D (normative)

### Tight fit test fixtures

All dimensions are in millimetres

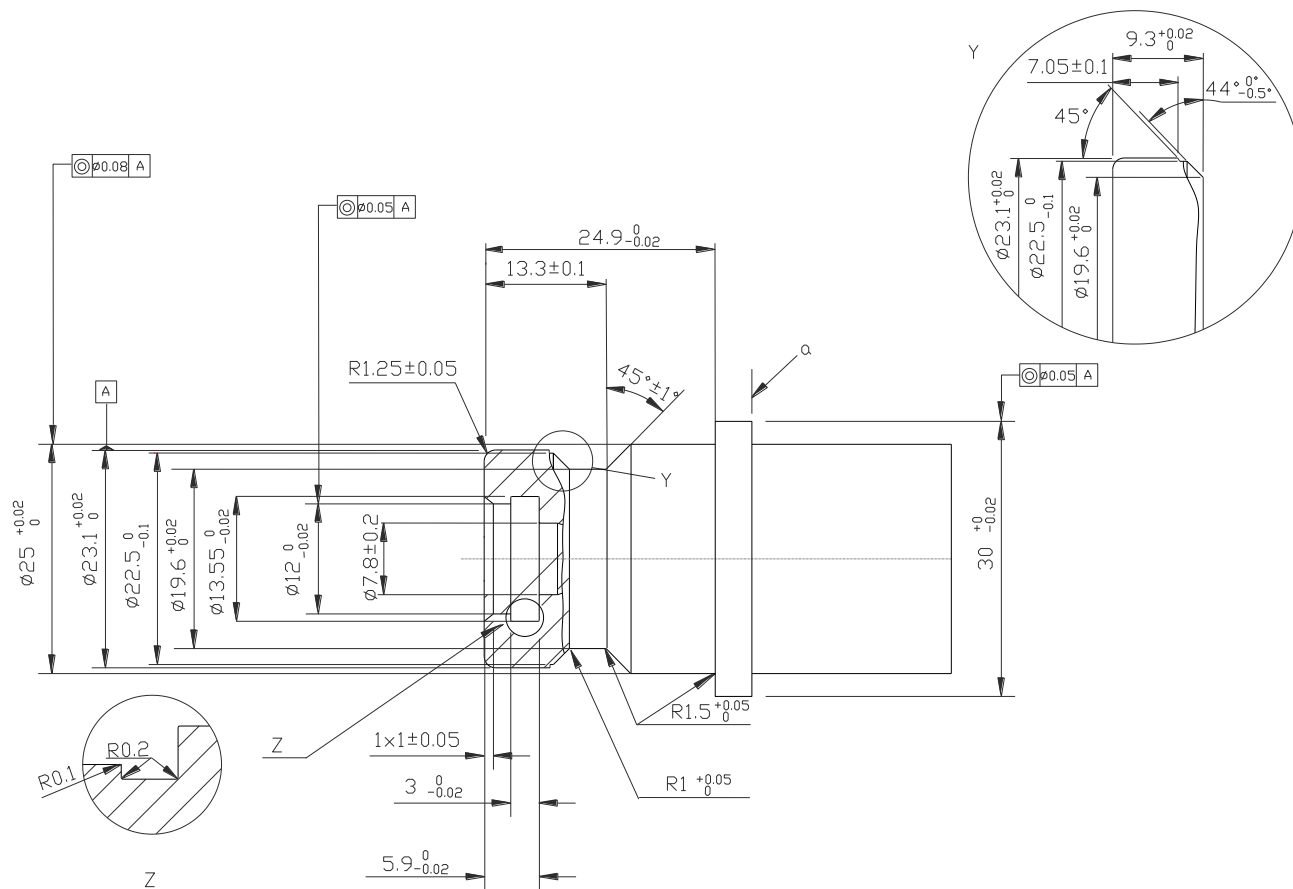


Material shall be 316 L Stainless steel with a minimum hardness of 80 Rockwell B (HRB). Surface finish shall be  $0,4 \mu\text{m} \pm 0,05 \mu\text{m}$ .

<sup>a</sup> The stop ring shall have a thickness greater than 5 mm.

Figure D.1 — H11 Tight fit test fixture

All dimensions are in millimetres

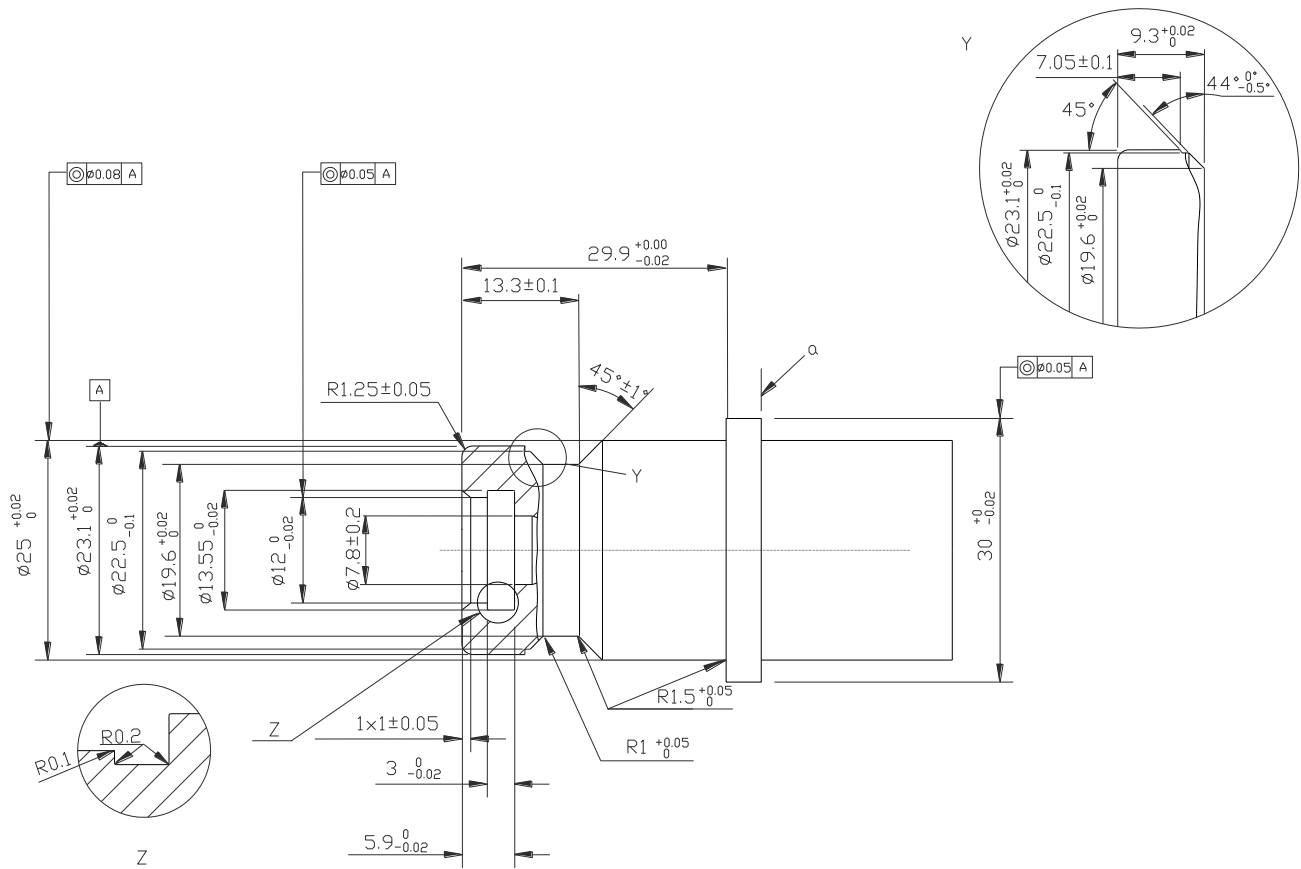


Material shall be 316 L Stainless steel with a minimum hardness of 80 Rockwell B (HRB). Surface finish shall be  $0,4 \mu\text{m} \pm 0,05 \mu\text{m}$ .

<sup>a</sup> The stop ring shall have a thickness greater than 5 mm.

Figure D.2 — H25 Tight fit test fixture

All dimensions are in millimetres

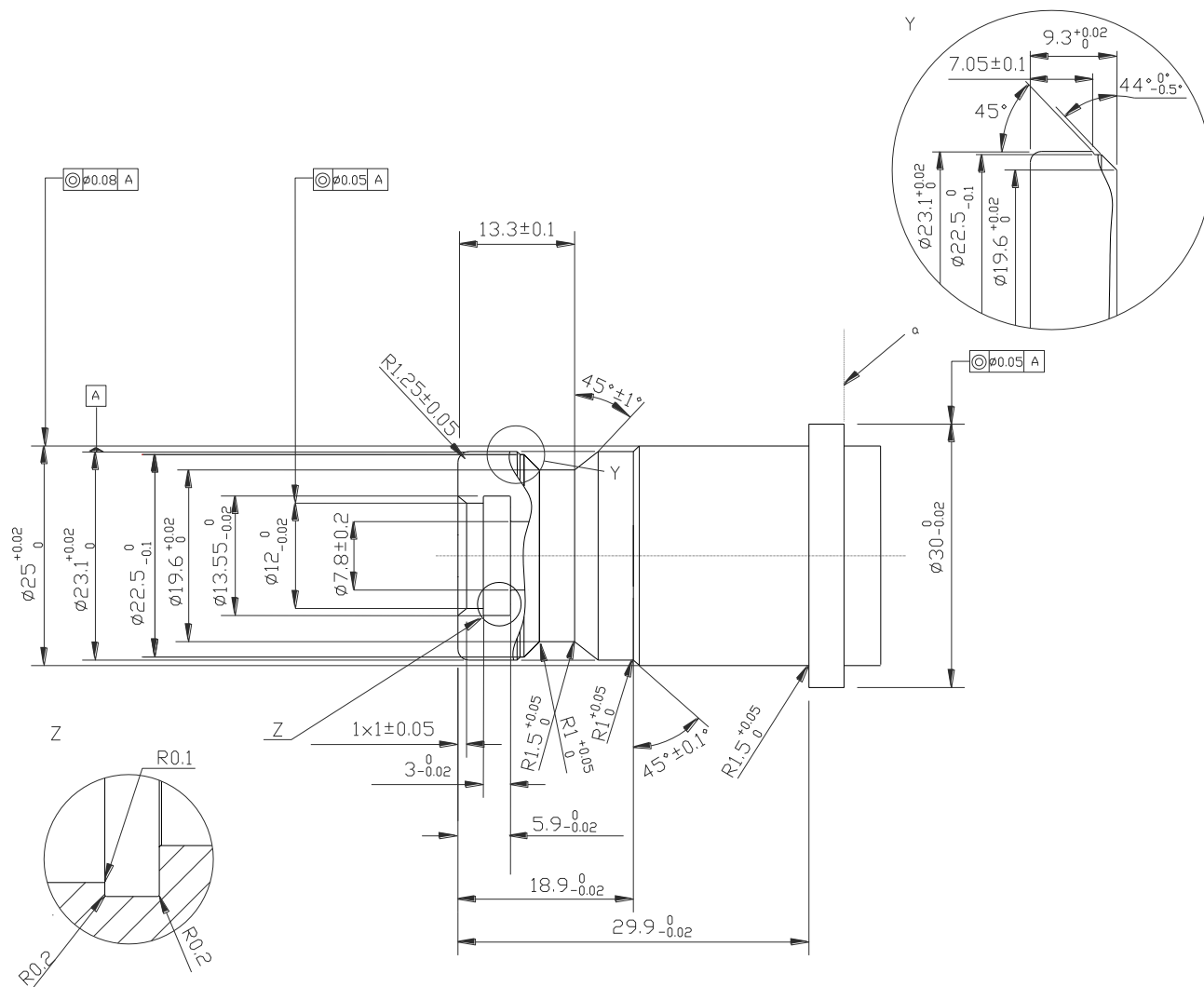


Material shall be 316 L Stainless steel with a minimum hardness of 80 Rockwell B (HRB). Surface finish shall be  $0,4 \mu\text{m} \pm 0,05 \mu\text{m}$ .

<sup>a</sup> The stop ring shall have a thickness greater than 5 mm.

Figure D.3 — H35 Tight fit test fixture

All dimensions are in millimetres

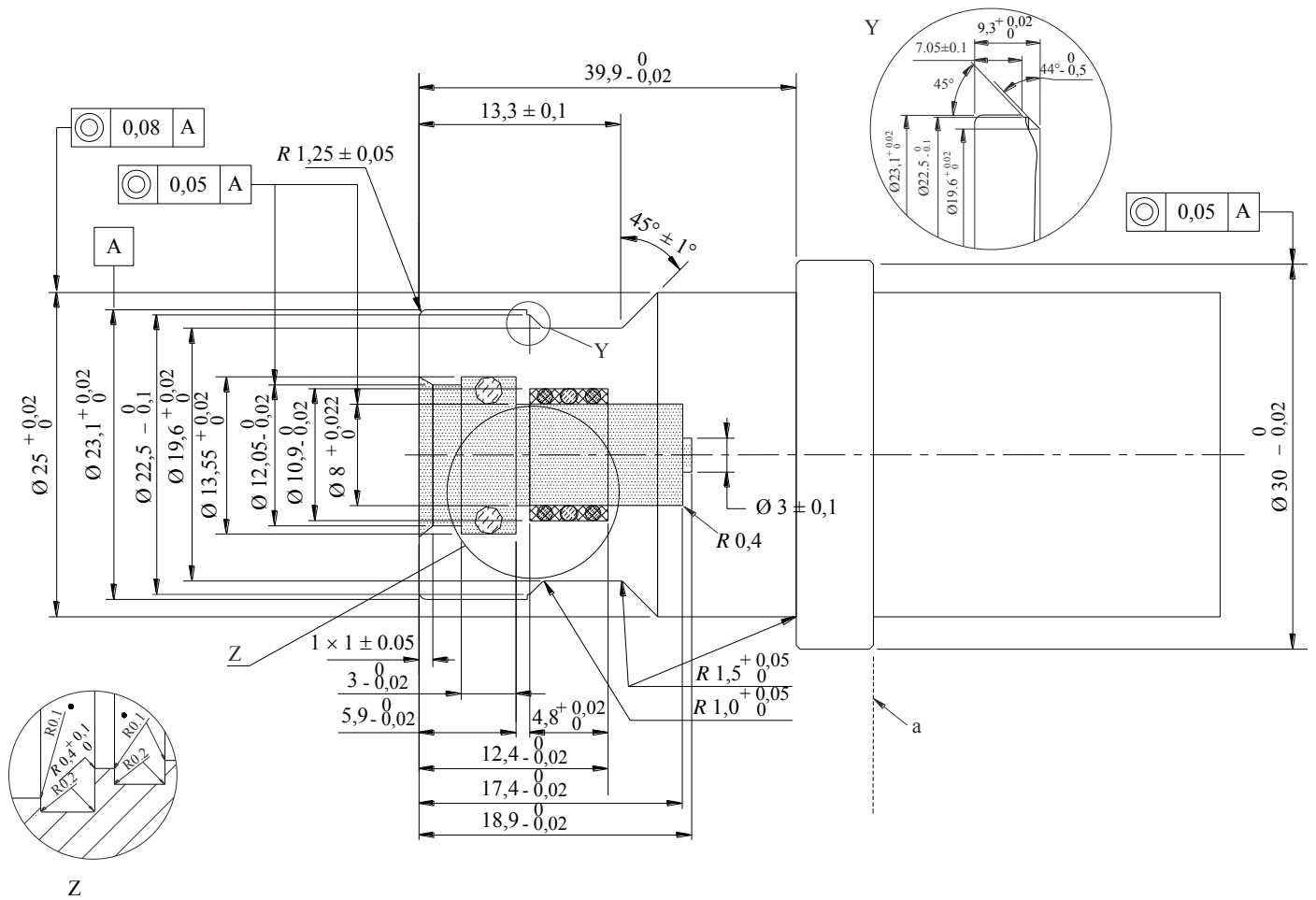


Material shall be 316 L Stainless steel with a minimum hardness of 80 Rockwell B (HRB). Surface finish shall be  $0,4 \mu\text{m} \pm 0,05 \mu\text{m}$ .

<sup>a</sup> The stop ring shall have a thickness greater than 5 mm.

**Figure D.4 — H35HF Tight fit test fixture**

All dimensions are in millimetres



Material shall be 316 L Stainless steel with a minimum hardness of 80 Rockwell B (HRB). Surface finish shall be  $0,4 \mu\text{m} \pm 0,05 \mu\text{m}$ .

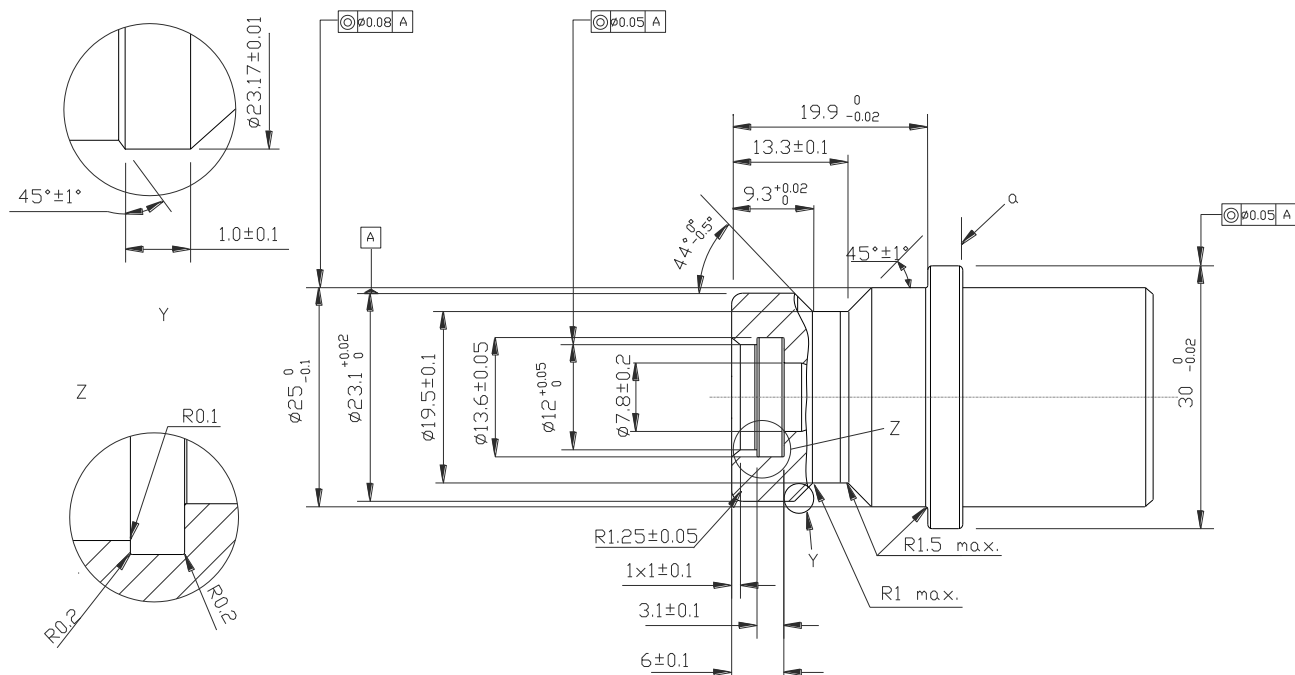
<sup>a</sup> The stop ring shall have a thickness greater than 5 mm.

Figure D.5 — H70 Tight fit test fixture

## Annex E (normative)

### Wear pattern test fixtures

All dimensions are in millimetres



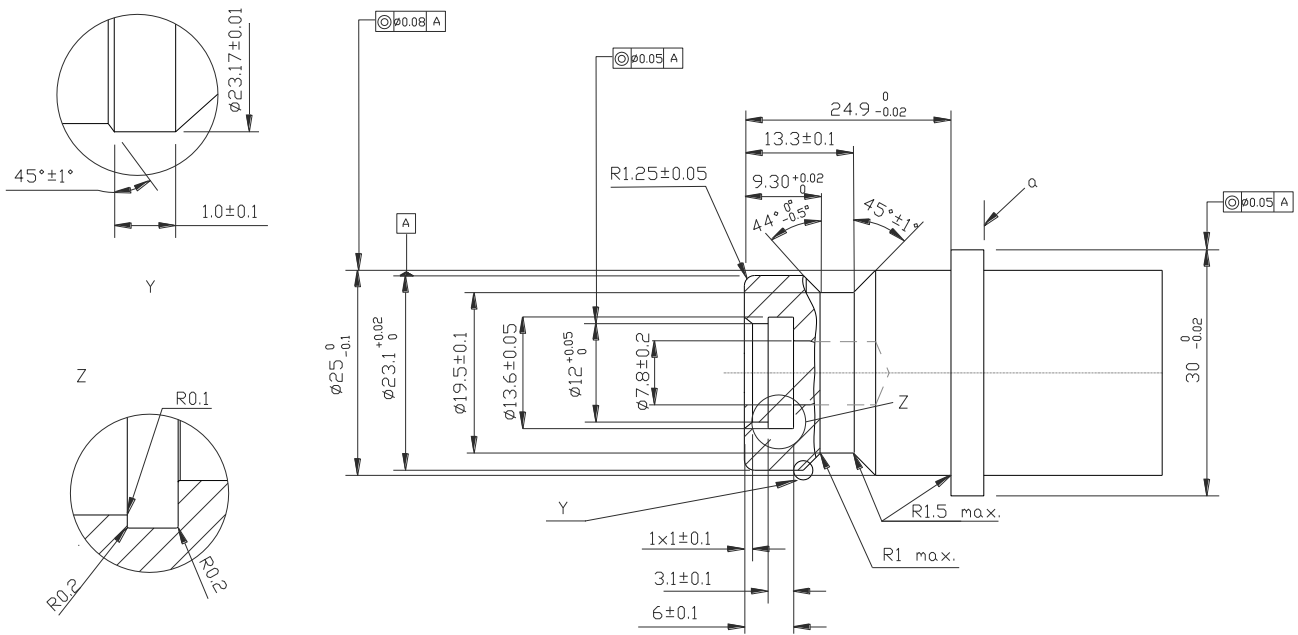
Material shall be 316 L Stainless steel with a minimum hardness of 80 Rockwell B (HRB). Surface finish shall be  $0,4 \mu\text{m} \pm 0,05 \mu\text{m}$ .

<sup>a</sup> The stop ring shall have a thickness greater than 5 mm.

**Figure E.1 — H11 Wear pattern test fixture**



All dimensions are in millimetres



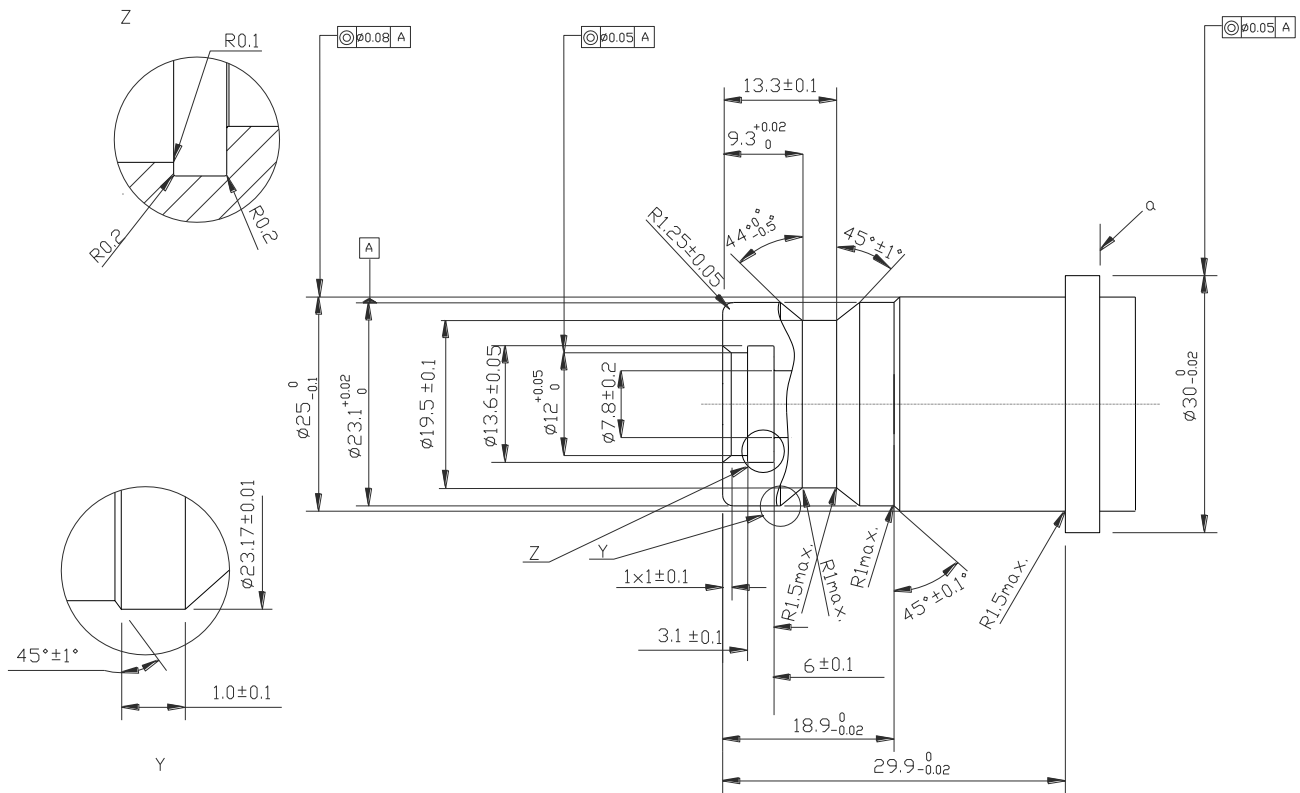
Material shall be 316 L Stainless steel with a minimum hardness of 80 Rockwell B (HRB). Surface finish shall be  $0,4 \mu\text{m} \pm 0,05 \mu\text{m}$ .

<sup>a</sup> The stop ring shall have a thickness greater than 5 mm.

Figure E.2 — H25 Wear pattern test fixture



All dimensions are in millimetres

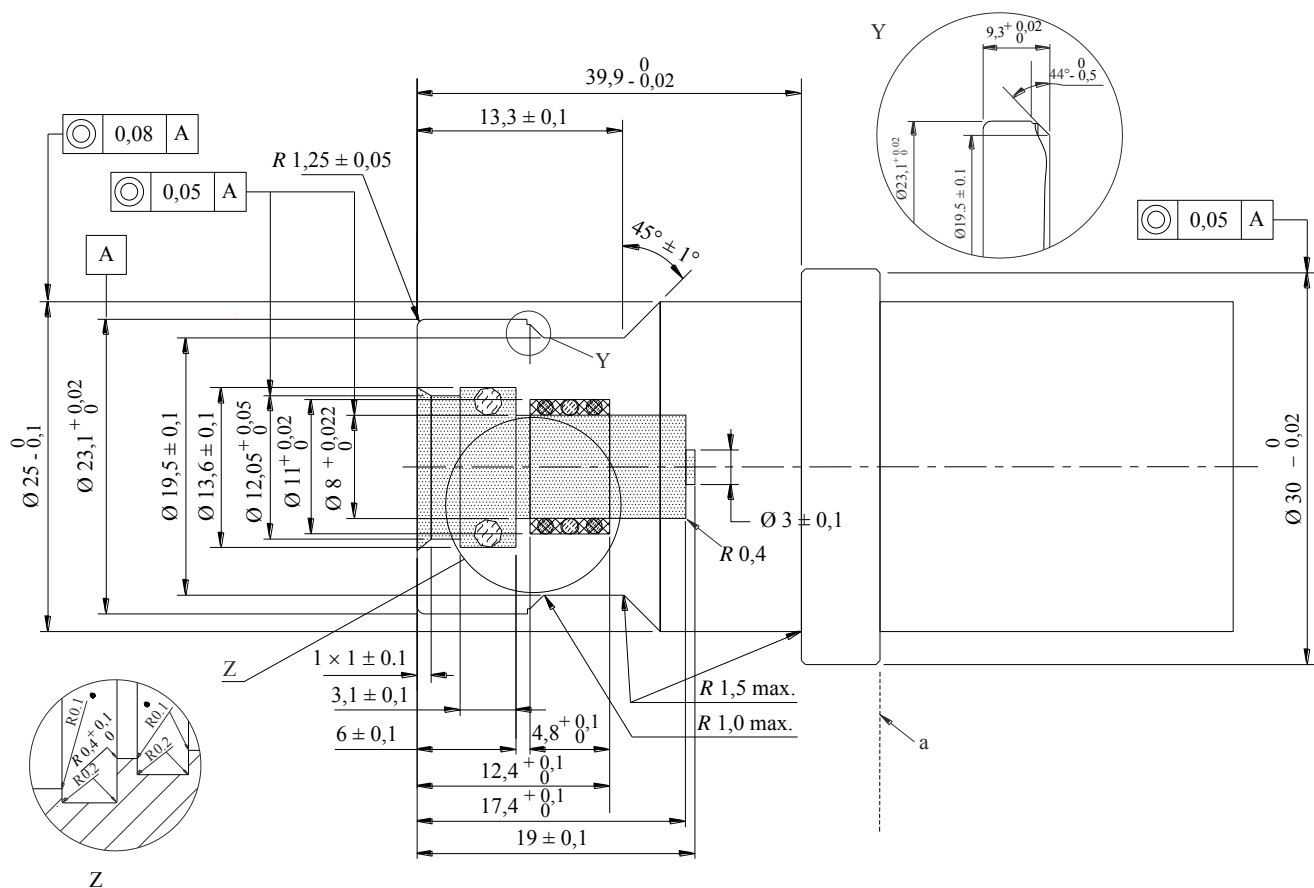


Material shall be 316 L Stainless steel with a minimum hardness of 80 Rockwell B (HRB). Surface finish shall be  $0,4 \mu\text{m} \pm 0,05 \mu\text{m}$ .

<sup>a</sup> The stop ring shall have a thickness greater than 5 mm.

Figure E.4 — H35HF Wear pattern test fixture

All dimensions are in millimetres



Material shall be 316 L Stainless steel with a minimum hardness of 80 Rockwell B (HRB). Surface finish shall be  $0,4 \mu\text{m} \pm 0,05 \mu\text{m}$ .

<sup>a</sup> The stop ring shall have a thickness greater than 5 mm.

Figure E.5 — H70 Wear pattern test fixture